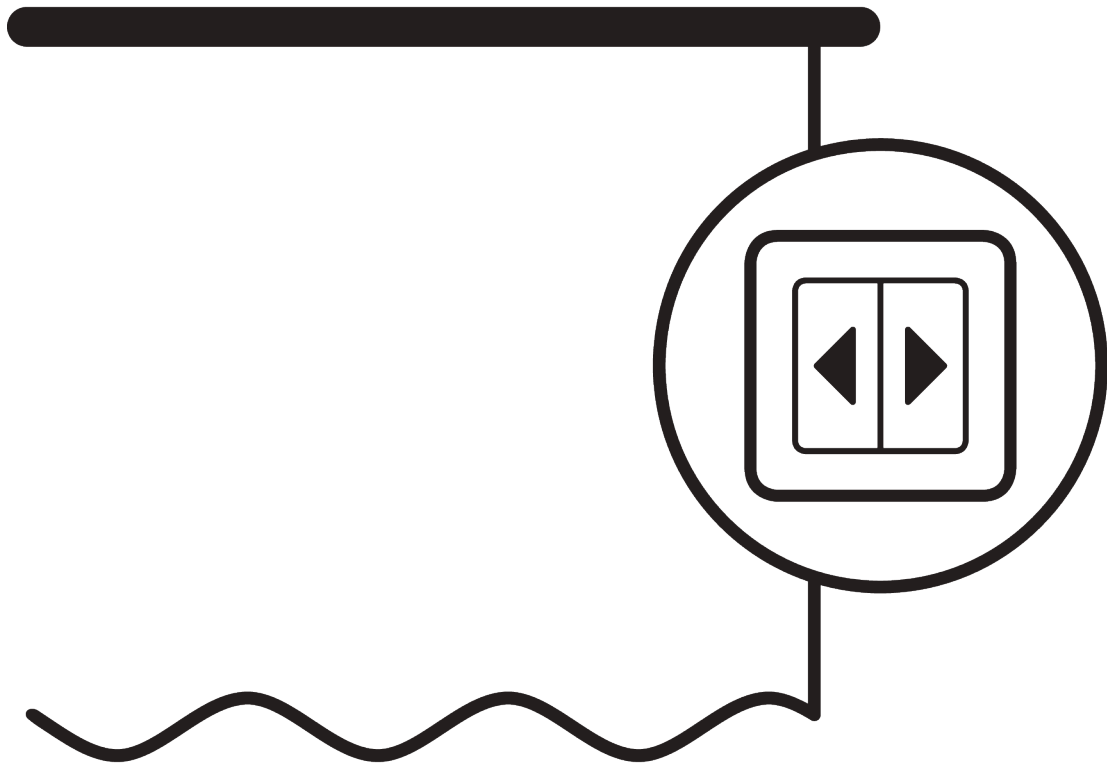


ELECTRIC CURTAIN TRACK SYSTEMS



GENERAL NOTES

Dimensions

- Measurements are in mm except where indicated.
- Max. kg relates to fabric incl. accessories.
- Stack size depends on curtain make-up and fabric thickness.
- Distance between gliders max. 80 mm / distance between rollers max. 100 mm.
- Recommended distance floor / fabric: 20 mm.
- In order to determine system height (B), the smallest room height must be taken into account.
- Full functionality may be affected if the curtain touches the profile.









Fitting

- Installation by qualified fitter only.
- Number of brackets and fitting positions / fixing points vary depending on fitting surface, system weight, fabric make-up, screw / fixing type and obstacles.
- Qualified fitter must use appropriate screws / fixings for each situation.
- Profile lip if applicable to be installed to room side.
- Electrical installations must be carried out according to Silent Gliss wiring diagrams and conform to local regulations.
- Check space for cables and plugs!

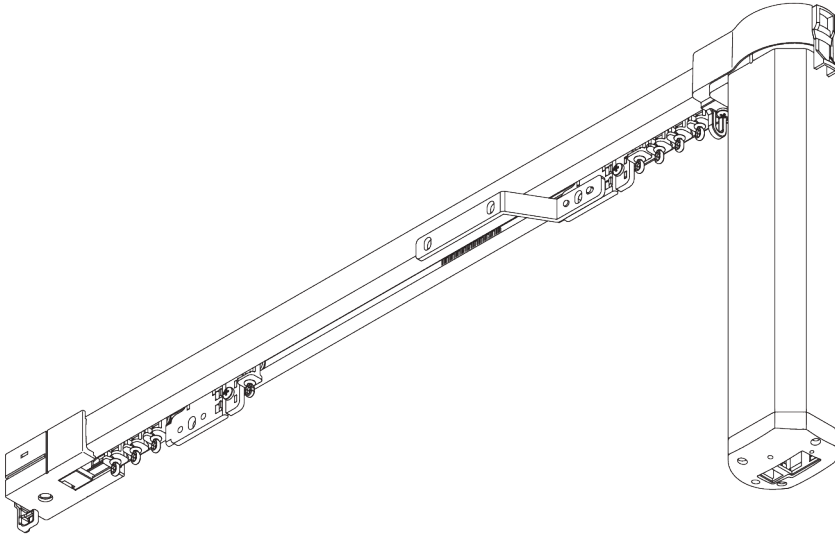
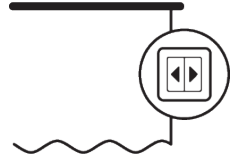
Child Safety

- All relevant Silent Gliss systems correspond to child safety EN 13120.
- All parties involved must comply with EN 13120.

APPLICATION CHART

<u>PAGE</u>	<u>SYSTEM</u>	<u>OPERATION</u>	<u>DIMENSION</u>	<u>DESIGN</u>	<u>WAVE</u>	← max. →	kg _{max.}
5	SG 5100		S - M			6 m	25 kg
17	SG 5600		S - L			25 m	65 kg
33	SG 5800		L			60 m	270 kg

SG 5100



PRODUCT INFORMATION

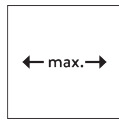
- **Operation:** motorised
- **Range:** S - M
- **Fitting:** ceiling, wall
- **Colours:** white RAL 9016
- **Fabrics:** refer to Silent Gliss fabric collection

Features:

- Wave
- Various control options
- Touch & Go
- Manual override
- Different motor versions
- Bendable

SYSTEM SPECIFICATIONS

A. SYSTEM DIMENSIONS



6 m



25 kg

Max. curtain weights with rollers

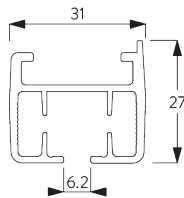
	3 m	6 m
	20	25
	20	25
	20	17
	20	17
	15	13
	15	13
	12	10
	12	10
(kg max.)		

Max. curtain weights with Wave gliders

	3 m	6 m
	20	20
	20	20
	18	14
	18	14
	12	10
	12	10
	10	9
	10	9
(kg max.)		

B. PROFILE

Profile and bending information

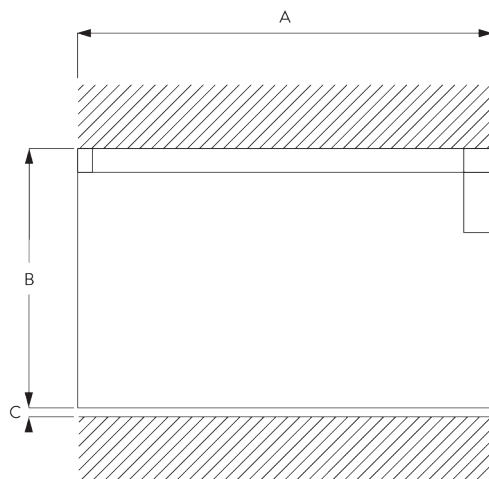


SG 10925

Profile



C. HOW TO MEASURE



A: System width
B: System height
C: Distance between floor and fabric

D. SPECIFICATION

TEXT

Silent Gliss SG 5100 Electrically Operated Curtain Track – Option Base (B). Comprises electrophoretic coated aluminium profile SG 10925 in white complete and assembled with motor SG 5190, internal drive belt SG 10825, gliders SG 10931 at 10/m. Ceiling fix with SG 10926 clamps/ face fix with Smart Fix brackets SG 11201-11205 at maximum 500mm centres. Operation via wireless wall switch SG 10949. Silent Gliss Wave option is available using 80mm glider cord SG 10905 / 60mm glider cord SG 10906.

Silent Gliss SG 5100 Electrically Operated Curtain Track – Option Remote (R). Comprises electrophoretic coated aluminium profile SG 10925 in white complete and assembled with motor SG 5190, internal drive belt SG 10823, gliders SG 10931 at 10/m. Ceiling fix with SG 10926 clamps/ face fix with Smart Fix brackets SG 11201-11205 at maximum 500mm centres. Operation via remote wireless control handset SG 10946 and wireless wall switch SG 10949. Silent Gliss Wave option is available using 80mm glider cord SG 10905 / 60mm glider cord SG 10906.

Silent Gliss SG 5100 Electrically Operated Curtain Track – Option Timer (T). Comprises electrophoretic coated aluminium profile SG 10925 in white complete and assembled with motor SG 5190, internal drive belt SG 10825, gliders SG 10931 at 10/m. Ceiling fix with SG 10926 clamps/ face fix with Smart Fix brackets SG 11201-11205 at maximum 500mm centres. Operation via wireless wall switch SG 10949 and wireless timer SG 11429. Silent Gliss Wave option is available using 80mm glider cord SG 10905 / 60mm glider cord SG 10906.

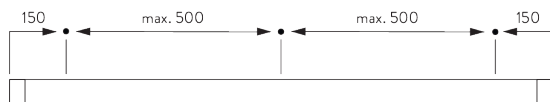
Silent Gliss SG 5100 Electrically Operated Curtain Track – Option Total Control (TC). Comprises electrophoretic coated aluminium profile SG 10925 in white complete and assembled with motor SG 5190, internal drive belt SG 10825, gliders SG 10931 at 10/m. Ceiling fix with SG 10926 clamps / face fix with Smart Fix brackets SG 11201-11205 at maximum 500mm centres. 5100TC combines the remote control SG 10946, Timer unit SG 11429 and fixed manual wall switch SG 10949 to give total control. Operation via wireless remote control handset SG 10946, wireless timer unit SG 11429 and by wireless wall switch SG 10949. Silent Gliss Wave option is available using 80mm glider cord SG 10905 / 60mm glider cord SG 10906.

FITTING

A. FITTING INFORMATION

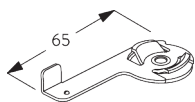
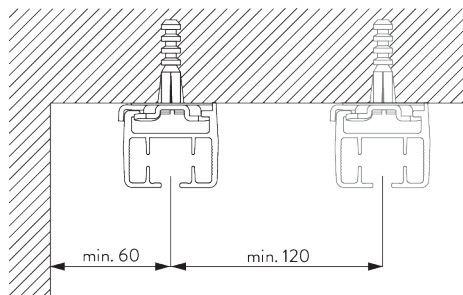
For detailed fitting information, visit the Silent Gliss website.

Fixing points



B. CEILING FITTING

Clamp SG 10926

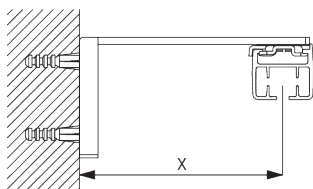


SG 10926

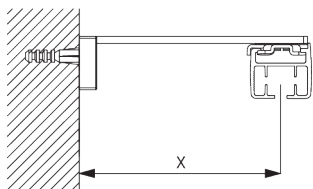
Clamp

C. WALL FITTING

Smart Fix

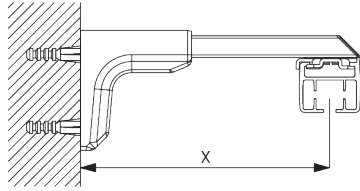


Smart Fix SG 11201 - SG 11205 and clamp SG 10926:
Screw SG 11127 (M4x10) needed.



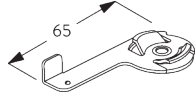
Square Smart Fix SG 11211 - SG 11215 and clamp SG 10926:
Screw SG 11127 (M4x10) needed.

Smart Fix	X mm
SG 11201 / SG 11211	72
SG 11202 / SG 11212	92
SG 11203 / SG 11213	112
SG 11204 / SG 11214	142
SG 11205 / SG 11215	192
SG 11154	102-130
SG 11155	132-160
SG 11156	182-210



**Universal Smart Fix SG 11154 - SG 11156 and clamp
SG 10926:**

Screw SG 11158 (M4x12) needed.



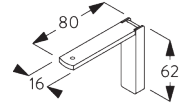
SG 10926
Clamp



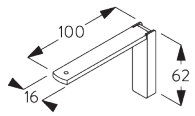
SG 11127
Countersunk head screw
M4x10



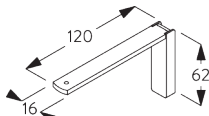
SG 11158
Countersunk head screw
M4x12



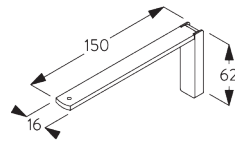
SG 11201
Smart Fix 80 mm



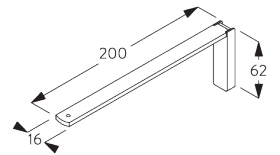
SG 11202
Smart Fix 100 mm



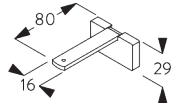
SG 11203
Smart Fix 120 mm



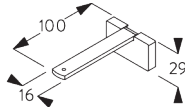
SG 11204
Smart Fix 150 mm



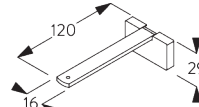
SG 11205
Smart Fix 200 mm



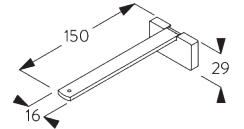
SG 11211
Square Smart Fix 80 mm



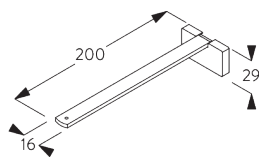
SG 11212
Square Smart Fix 100 mm



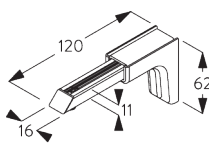
SG 11213
Square Smart Fix 120 mm



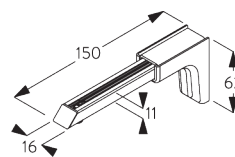
SG 11214
Square Smart Fix 150 mm



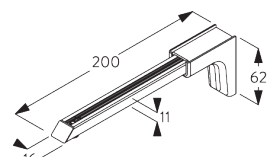
SG 11215
Square Smart Fix 200 mm



SG 11154
Universal Smart Fix 120 mm



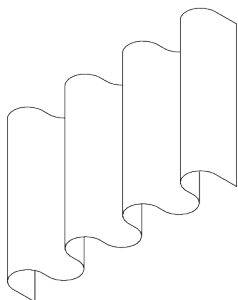
SG 11155
Universal Smart Fix 150 mm



SG 11156
Universal Smart Fix 200 mm

SYSTEM OPTIONS

A. WAVE



SG 6365



SG 10854



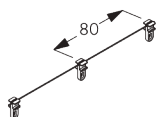
SG 10856



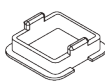
SG 10867



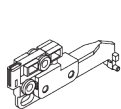
SG 10887



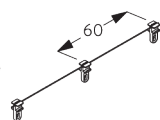
SG 10905



SG 10924



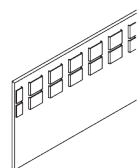
SG 10845



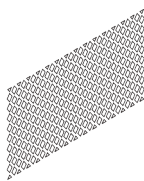
SG 10906



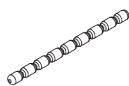
SG 3582



SG 6349



SG 6363



SG 10075



SG 10076

Standard components:

- SG 6365 Wave hanger
- SG 10854 Wave overlap arm support
- SG 10856 Wave end stop, belt return
- SG 10867 Panhead screw
- SG 10887 Wave overlap arm set
- SG 10905 Wave glider cord 80 mm
- SG 10924 Wave glider support

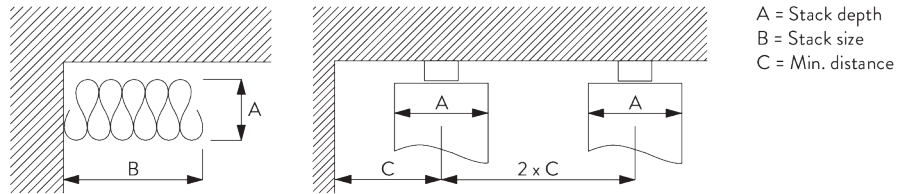
Optional components:

- SG 10845 Wave master carrier single stack 80 mm
- SG 10906 Wave glider cord 60 mm (no single stack)

Curtain components:

- SG 3582 Hook
- SG 6349 Wave curtain tape
- SG 6363 Wave top hemming tape
- SG 10075 Lead weight 50 gr/m
- SG 10076 Fabric weight

Wave stack depth - glider cord (standard components)



Glider cord SG 10905	Pockets between hooks	Approx. curtain fullness	Stack depth A	Stack size B*	Min distance C
80	6	~2.1	140	180 per metre of track	90
80	7	~2.3	160	180 per metre of track	100

Glider cord SG 10906	Pockets between hooks	Approx. curtain fullness	Stack depth A	Stack size B*	Min distance C
60	4	~2.1	100	230 per metre of track	70
60	5	~2.3	120	230 per metre of track	80

*Stack size B plus 180 mm for each curtain stack!

MOTORS & CONTROLS

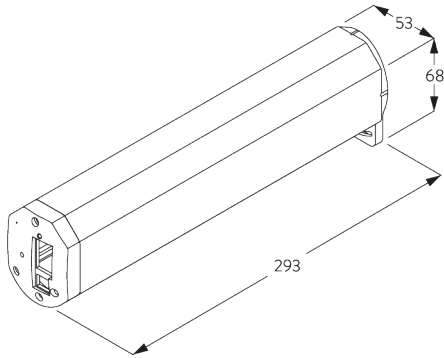
A. MOTOR FEATURES

Motors	SG 5190	SG 5192	SG 5193
Motor Features			
Soft start / stop	●	●	●
Touch & Go	●	●	
Manual Override	●	●	●
Built-in receiver	●	●	
Electronic end-stop	●	●	●
Electronic revolution counter (unlimited revolution)	●	●	●
Parallel wiring possible without additional relays	●	●	●
Cable connectable with plug into motor		●	
IP class	IP 20	IP 20	IP 20
Control Features			
Mains power control			●
Dry contact control	●	●	
Dry contact and / or SG Control A	●	●	
SG Control A	●	●	
Suitable for all common home automation systems (with suitable interface)	●	●	●

B. MOTOR
SPECIFICATIONS

Motors	Motor dimensions	Voltage	Current	Frequency	System speed / sec	Frequency receiver
SG 5190	L 293 x W 53 x D 68	100 - 240 V AC	0.8 - 0.4 A	50 / 60 Hz	15 cm / sec	433 MHz
SG 5192	L 293 x W 53 x D 68	24 V DC	3.5 A	n/a	15 cm / sec	433 MHz
SG 5193	L 293 x W 53 x D 68	100 - 240 V AC	0.8 - 0.4 A	50 / 60 Hz	15 cm / sec	n/a

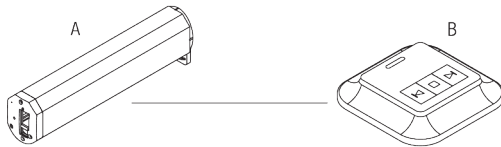
C. MOTOR
DIMENSIONS



D. OPERATING
METHODS

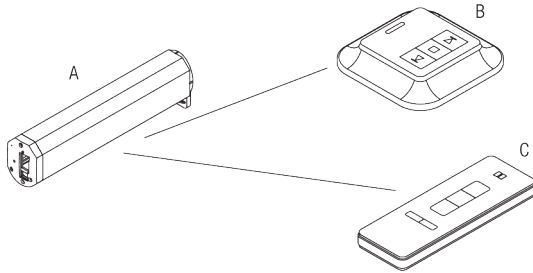
See catalogue "controls" for details.

5100B - Base



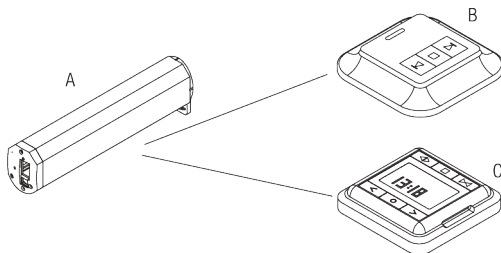
A: Motor SG 5190
B: Wall Switch SG 10949

5100R - Remote



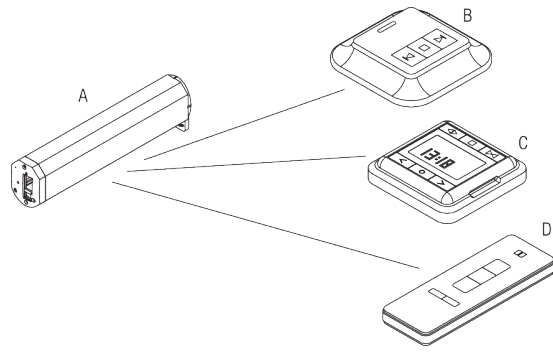
A: Motor SG 5190
B: Wall Switch SG 10949
C: Handset SG 10946

5100T - Timer Unit



A: Motor SG 5190
B: Wall Switch SG 10949
C: Timer Unit SG 11429

5100TC - Total Control



- A: Motor SG 5190
- B: Wall Switch SG 10949
- C: Timer SG 11429
- D: Handset SG 10946

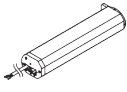
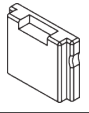
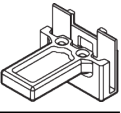
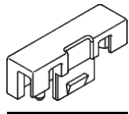
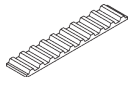
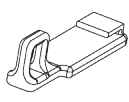
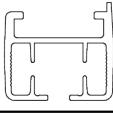


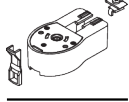

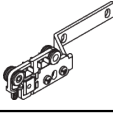
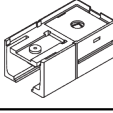

E. WIRING
DIAGRAMS



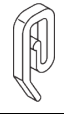
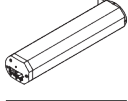
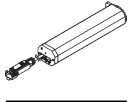


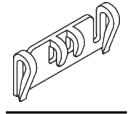
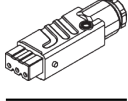
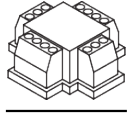
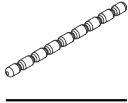
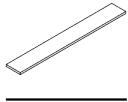

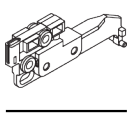
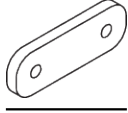
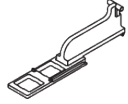
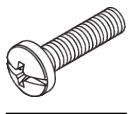
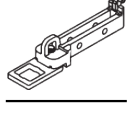
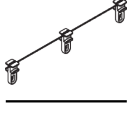
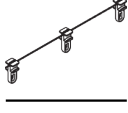
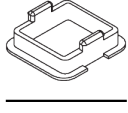
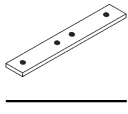
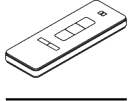
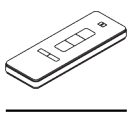
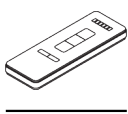
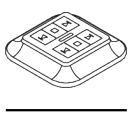
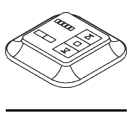
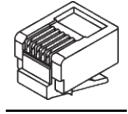
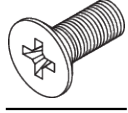
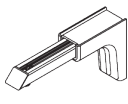
Refer to Silent Gliss website.

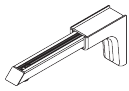
PARTS

A. STANDARD PARTS

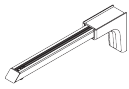
	SG 5190 Motor 100-240V AC, 1/130, radio receiver
	SG 10815 Cover
	SG 10823 Belt connector arm
	SG 10824 Belt connector pin
	SG 10825 Belt
	SG 10836 Mask pair stack
	SG 10925 Profile
	SG 10926 Clamp
	SG 10931 Roller
	SG 10933 Gear drive set
	SG 10935 Clamp
	SG 10936 Overlap arm
	SG 10940 Guide return
	SG 10949 Radio wall transmitter 1 channel

B. OPTIONAL PARTS

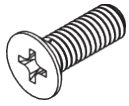
	SG 3582 Hook
	SG 5192 Motor 24V DC, 1/130, radio receiver
	SG 5193 Motor 100-240V AC, 1/130, mains controlled
	SG 6349 Wave curtain tape
	SG 6363 Wave top hemming tape
	SG 6365 Wave hanger
	SG 9917 Hirschmann portable socket-outlet STAK 3 N
	SG 9959 Central control unit relay
	SG 10075 Lead weight 50 g/m
	SG 10076 Fabric weight
	SG 10822 Master carrier
	SG 10845 Wave master carrier
	SG 10854 Wave overlap plate
	SG 10856 Wave extension
	SG 10867 Pan head screw Freedriv M4x16
	SG 10887 Wave extension
	SG 10905 Wave glider cord 80 mm
	SG 10906 Wave glider cord 60 mm
	SG 10924 Wave glider support
	SG 10943 Connection bridge
	SG 10946 Radio hand held 1 channel
	SG 10947 Radio hand held 2+1 channel
	SG 10948 Radio hand held 6+1 channel
	SG 10950 Radio wall transmitter 2 channel
	SG 10951 Radio wall transmitter 5+1 channel
	SG 10952 Plug for dry contact RJ 12
	SG 11127 Countersunk head screw M4x10
	SG 11154 Universal Smart Fix 120 mm

**SG 11155**

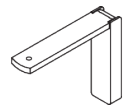
Universal Smart Fix 150 mm

**SG 11156**

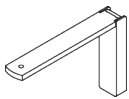
Universal Smart Fix 200 mm

**SG 11158**

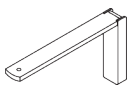
Countersunk head screw M4x12

**SG 11201**

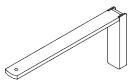
Smart Fix 80 mm

**SG 11202**

Smart Fix 100 mm

**SG 11203**

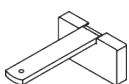
Smart Fix 120 mm

**SG 11204**

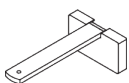
Smart Fix 150 mm

**SG 11205**

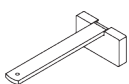
Smart Fix 200 mm

**SG 11211**

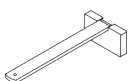
Square Smart Fix 80 mm

**SG 11212**

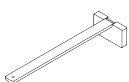
Square Smart Fix 100 mm

**SG 11213**

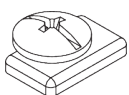
Square Smart Fix 120 mm

**SG 11214**

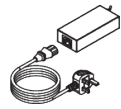
Square Smart Fix 150 mm

**SG 11215**

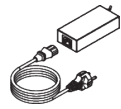
Square Smart Fix 200 mm

**SG 11295**

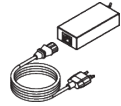
End stop

**SG 11412**

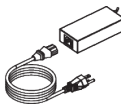
Power supply 24V / 4A lead including cable UK plug

**SG 11414**

Power supply 24V / 4A including cable EU plug

**SG 11415**

Power supply 24V / 4A including cable CH plug

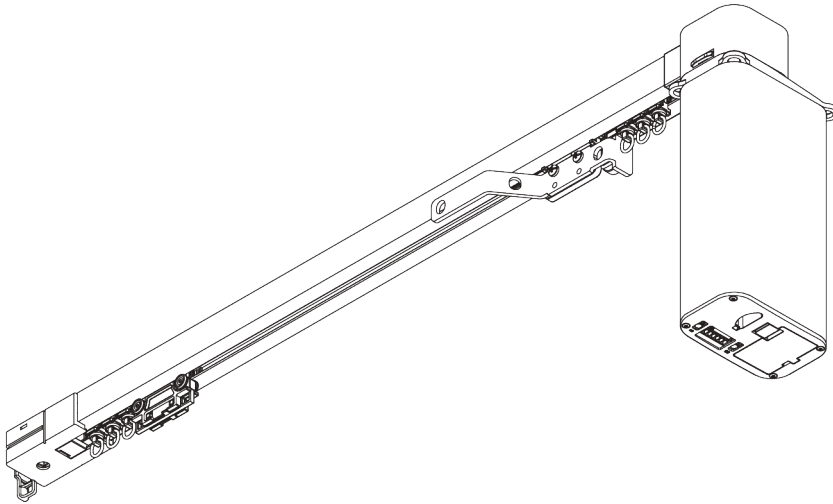
**SG 11416**

Power supply 24V / 4A including cable US plug

**SG 11429**

Radio timer unit 1 channel

SG 5600



PRODUCT INFORMATION

- **Operation:** motorised
- **Range:** S - L
- **Fitting:** ceiling, wall, recess
- **Colours:** white RAL 9016, black RAL 9005 or anodised aluminum, special colours possible (recess profile only in white RAL 9016, black RAL 9005 or special color)
- **Fabrics:** refer to Silent Gliss fabric collection

Features:

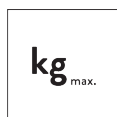
- Quiet, fast and powerful motor
- 2-component (2C) roller technology
- Wave (2C)
- Various control options
- Touch & Go
- Manual override incl. permanent positioning sensor
- Easy programming
- 100-250 AC and / or 24 V DC in one motor
- Bendable
- Bendable recess profile

SYSTEM SPECIFICATIONS

A. SYSTEM DIMENSIONS



25 m



65 kg

Max. curtain weights with 2C rollers / Wave rollers

Up to 12 m: Touch & Go, manual override, auto programming mode

	2 m	4 m	6 m	8 m	10 m	12 m	15 m	18 m	21 m	25 m
	25	45	45	50	65	45	45	45	45	40
	25	45	45	50	65	45	45	45	45	40
	25	35	35	40	35	35	35	32	29	25
	25	35	35	40	35	35	35	32	29	25
	25	30	30	30	25	25	22	19	15	-
	25	30	30	30	25	25	22	19	15	-
	20	20	20	18	16	12	10	-	-	-
	20	20	20	18	16	12	10	-	-	-

(kg max.)

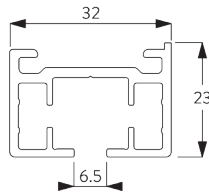
Max. curtain weights with Wave gliders

	2 m	4 m	6 m	8 m	10 m
	20	25	25	25	20
	20	25	25	25	20
	20	20	20	20	15
	20	20	20	20	15
	20	20	20	15	10
	20	20	20	15	10
	20	20	15	8	-
	20	20	15	8	-

(kg max.)

B. PROFILE

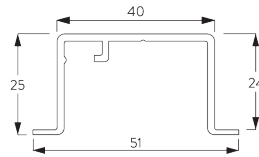
Profile and bending information



SG 10850

Profile

Radius:
✓ >25 cm

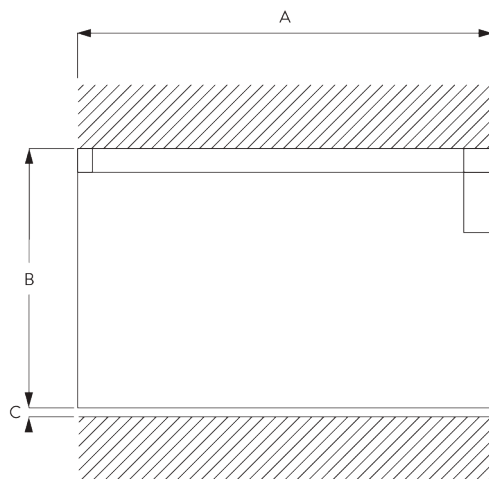


SG 10862

Recess profile

Radius:
✓ 50 - 75 cm
>75 cm on request

C. HOW TO MEASURE



A: System width
B: System height
C: Distance between floor and fabric

D. SPECIFICATION

TEXT

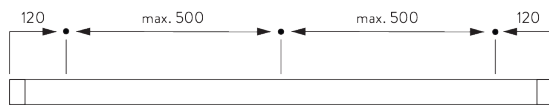
Silent Gliss SG 5600 Electrically Operated Curtain Track with Smart by Silent Gliss enabled motor. Comprises aluminium profile SG 10850 in silver anodized / white / black powder coated finish complete and ready assembled with interference free brushless motor SG 9060 with plug in 'Smart by Silent Gliss module SG 11270. Includes internal drive belt SG 10825, belt return set SG 10819. Supplied with 2C roller gliders SG 10840 / Wave 2C glider cord 60mm SG 10906 / Wave 2C 80mm glider cord SG 10905 / 2C Wave roller glider cord 60mm SG 10869 / 2C Wave roller glider cord 80mm SG 10852. Features manual 'Touch and Go' operation and manual override in the event of power failure. Top fixed with clamps SG 3004 at max. 500mm centres / face fixed with Silent Gliss Smart Fix extension bracket range. Optional recess profile SG 10862. Operation by compatible third-party control system offering full two-way communication. Powered by 24V DC power supply (not supplied) or mains power. Permanent memory limit switching positions. Only to be used in conjunction with associated 'Smart by Silent Gliss' Gateway and components. All wiring to be strictly in accordance with Silent Gliss wiring diagrams.

Silent Gliss SG 5600 Electrically Operated Curtain Track. Comprises aluminium profile SG 10850 in silver anodized / white / black powder coated finish complete and ready assembled with interference free brushless motor SG 9060. Includes internal drive belt SG 10825, belt return set SG 10819. Supplied with 2C roller glider SG 10840 / Wave 2C glider cord 60mm SG 10906 / Wave 2C 80mm glider cord SG 10905 / 2C Wave roller glider cord 60mm SG 10869 / 2C Wave roller glider cord 80mm SG 10852. Features manual 'Touch and Go' operation (with permanent power only) and manual override in the event of power failure. Top fixed with clamps SG 3004 at max. 500mm centre / face fixed with Silent Gliss Smart Fix extension bracket range. Optional recess profile SG 10862. Operation by mains or dry contact switching. Optional plug in receiver modules for switching by Silent Gliss radio control systems SG Control L / SG Control R. Operation via app possible using Move Server Set SG 9960 (requires radio control module SG 9063). Mains or 24v DC power supply (power supply not included). Permanent memory limit switching positions. All wiring to be strictly in accordance with Silent Gliss wiring diagrams.

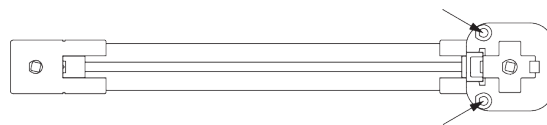
FITTING

A. FITTING INFORMATION

Fixing points



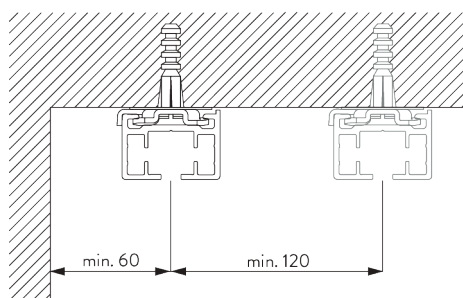
For detailed fitting information, visit the [Silent Gliss website](#).



Motor holder to be fixed (ceiling fitting only).

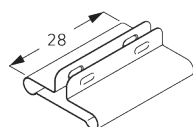
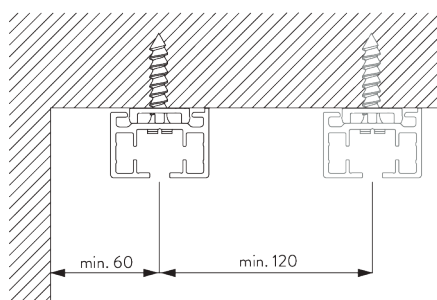
B. CEILING FITTING

Clamp SG 3004

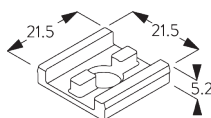


SG 3004
Clamp

Direct fitting (2C roller only)



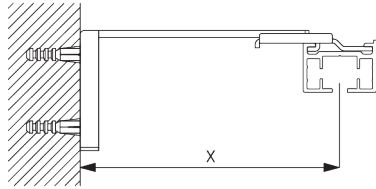
SG 7002
Profile protector



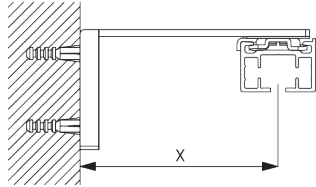
SG 10865
Support plate

C. WALL FITTING

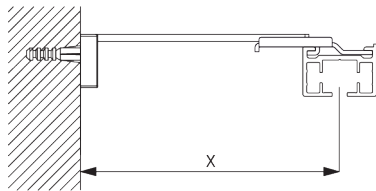
Smart Fix



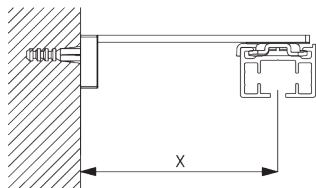
Smart Fix SG 11200 - SG 11205 and bracket SG 3041:
Screw SG 10492 (M4x8) needed.



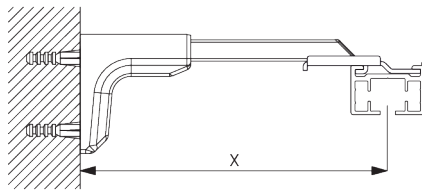
Smart Fix SG 11200 - SG 11205 and clamp SG 3004:
Screw SG 10074 (M4x8) needed.



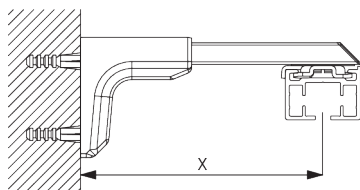
Square Smart Fix SG 11210 - SG 11215 and bracket SG 3041:
Screw SG 10492 (M4x8) needed.



Square Smart Fix SG 11210 - SG 11215 and clamp SG 3004:
Screw SG 10074 (M4x8) needed.

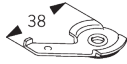


Universal Smart Fix SG 11154 - SG 11156 and bracket SG 3041:
Screw SG 10407 (M4x10) needed.

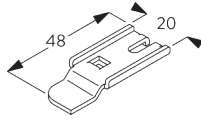


Universal Smart Fix SG 11154 - SG 11156 and clamp SG 3004:
Screw SG 11158 (M4x12) needed.

Smart Fix	X mm (SG 3041)	X mm (SG 3004)
SG 11200 / SG 11210	83	
SG 11201 / SG 11211	103	72
SG 11202 / SG 11212	123	92
SG 11203 / SG 11213	143	112
SG 11204 / SG 11214	173	142
SG 11205 / SG 11215	223	192
SG 11154	128-156	102-130
SG 11155	158-186	132-160
SG 11156	208-236	182-210



SG 3004
Clamp



SG 3041
Bracket



SG 10074
Countersunk head screw
M4x8



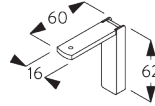
SG 10407
Pan head screw M4x10



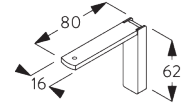
SG 10492
Pan head screw M4x8



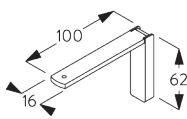
SG 11158
Countersunk head screw
M4x12



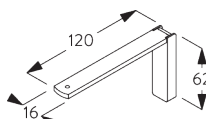
SG 11200
Smart Fix 60 mm



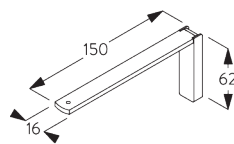
SG 11201
Smart Fix 80 mm



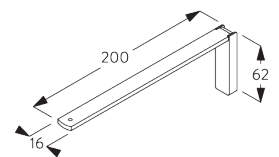
SG 11202
Smart Fix 100 mm



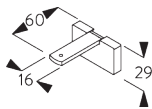
SG 11203
Smart Fix 120 mm



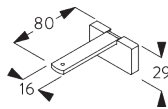
SG 11204
Smart Fix 150 mm



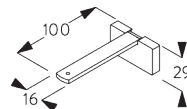
SG 11205
Smart Fix 200 mm



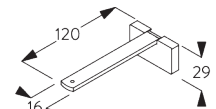
SG 11210
Square Smart Fix 60 mm



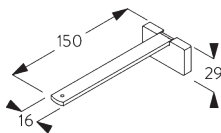
SG 11211
Square Smart Fix 80 mm



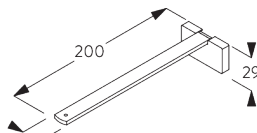
SG 11212
Square Smart Fix 100 mm



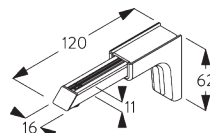
SG 11213
Square Smart Fix 120 mm



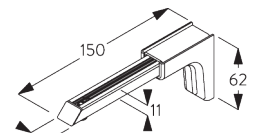
SG 11214
Square Smart Fix 150 mm



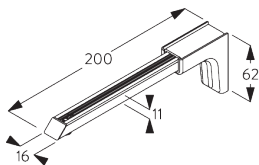
SG 11215
Square Smart Fix 200 mm



SG 11154
Universal Smart Fix 120 mm



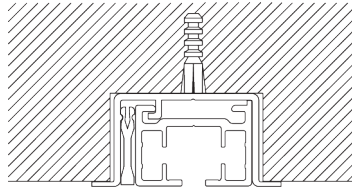
SG 11155
Universal Smart Fix 150 mm



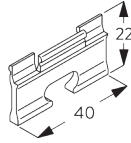
SG 11156
Universal Smart Fix 200 mm

D. RECESS FITTING

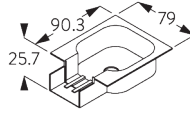
Recess profile SG 10862



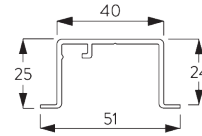
One wedge SG 5118 per fixing point.
For detailed recess fitting, visit the Silent Gliss website.



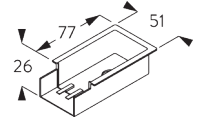
SG 5118
Wedge



SG 10863
Recess mask

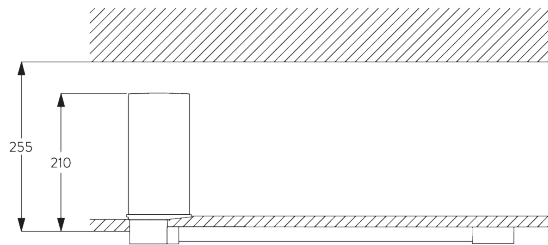


SG 10862
Recess profile



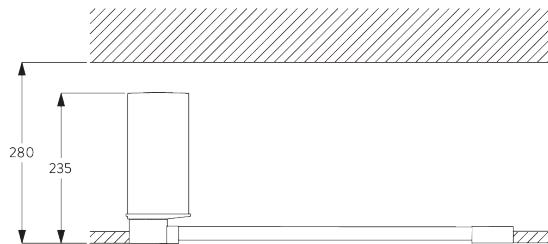
SG 10864
Recess mask

Motor recessed in suspended ceiling



Profile mounted with clamp SG 3004.

Access to the ceiling space is necessary for assembly / programming.

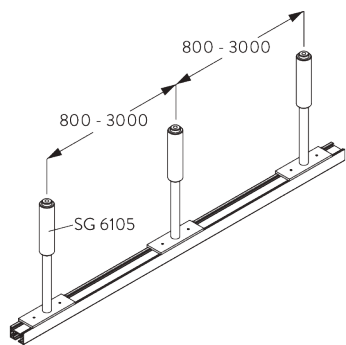


Profile SG 10862 recessed into ceiling.

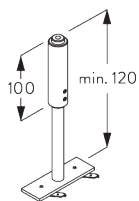
Access to the ceiling space is necessary for assembly / programming.

**E. SUSPENDED
FITTING**

Hanger SG 6105



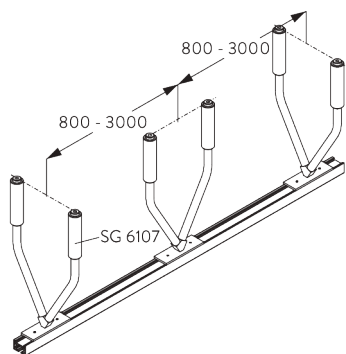
Curtain weight reduces by 30%.



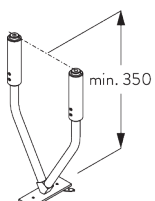
SG 6105

Hanger with plate

V-hanger SG 6107



Curtain weight reduces by 30%.

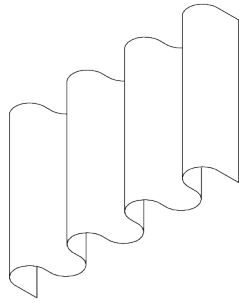


SG 6107

V-Hanger with plate

SYSTEM OPTIONS

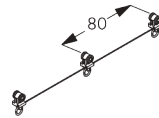
A. WAVE



SG 6365



SG 10844



SG 10852



SG 10854



SG 10856



SG 10867



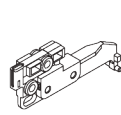
SG 10886



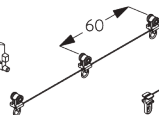
SG 10887

Standard components:

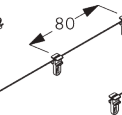
- SG 6365 Wave hanger
- SG 10844 Wave end stop
- SG 10852 Wave 2C roller cord, 80 mm
- SG 10854 Wave overlap arm support
- SG 10856 Wave end stop, belt return
- SG 10867 Panhead screw
- SG 10886 Wave extension
- SG 10887 Wave overlap arm set



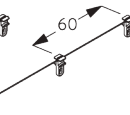
SG 10845



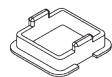
SG 10869



SG 10905



SG 10906



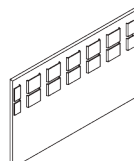
SG 10924

Optional components:

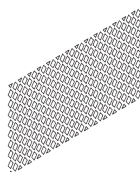
- SG 10845 Wave master carrier single stack 80 mm
- SG 10869 Wave 2C roller cord, 60 mm (no single stack)
- SG 10905 Wave glider cord, 80 mm
- SG 10906 Wave glider cord, 60 mm (no single stack)
- SG 10924 Wave glider support



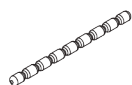
SG 3582



SG 6349



SG 6363



SG 10075

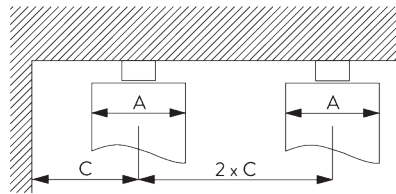
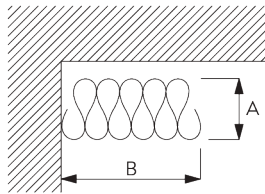


SG 10076

Curtain components:

- SG 3582 Hook
- SG 6349 Wave curtain tape
- SG 6363 Wave top hemming tape
- SG 10075 Lead weight 50 gr/m
- SG 10076 Fabric weight

Wave stack depth - 2C roller / glider cord (standard components)



A = Stack depth
B = Stack size
C = Min. distance

Roller / glider cord SG 10852 / 10905	Pockets between hooks	Approx. curtain fullness	Stack depth A	Stack size B*	Min distance C
80	6	~2.1	140	210 per metre of track	90
80	7	~2.3	160	210 per metre of track	100

Roller / glider cord SG 10869 / 10906	Pockets between hooks	Approx. curtain fullness	Stack depth A	Stack size B*	Min distance C
60	4	~2.1	100	260 per metre of track	70
60	5	~2.3	120	260 per metre of track	80

*Stack size B plus 190 mm for each curtain stack!

MOTOR & CONTROLS

A. MOTOR FEATURES

Motor	SG 9060
-------	---------

Motor Features

Soft start / stop	●
Touch & Go	●
Manual Override	●
Modular radio system (optional)	●
Electronic end-stop	●
Electronic revolution counter (unlimited revolution)	●
Two intermediate positions possible	●
Parallel wiring possible without additional relays	●
High-end DC motor with brushless technology	●
Permanent positioning sensor (even without power)	●
100 - 250 V AC and / or 24 V DC in one motor	●
Cable connectable with plug into motor	●
IP class	IP 40

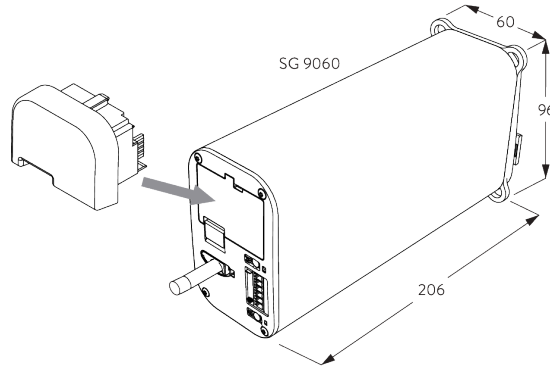
Control Features

Mains power control	●
Dry contact control	●
Dry contact and / or SG Control L (with radio module)	●
Dry contact and / or SG Control R (with radio module)	●
SG Control L (with radio module)	●
SG Control R (with radio module)	●
Smart by Silent Gliss (with smart module)	●
Suitable for all common home automation systems (with suitable interface)	●

B. MOTOR SPECIFICATIONS

Motor	Motor dimensions	Voltage AC	Voltage DC	Current	Frequency	System speed / sec	Frequency receiver
SG 9060	L 206 x W 60 x D 96	100 - 250 V AC	24 V DC	1.3 - 0.5 A	50 - 60 Hz	21 cm / sec	n/a
SG 9060 w/ SG Control L	L 226 x W 60 x D 96	100 - 250 V AC	24 V DC	1.3 - 0.5 A	50 - 60 Hz	21 cm / sec	868/915 MHz
SG 9060 w/ SG Control R	L 226 x W 60 x D 96	100 - 250 V AC	24 V DC	1.3 - 0.5 A	50 - 60 Hz	21 cm / sec	433 MHz
SG 9060 w/ Smart by SG	L 226 x W 60 x D 96	100 - 250 V AC	24 V DC	1.3 - 0.5 A	50 - 60 Hz	21 cm / sec	Smart by SG

C. MOTOR DIMENSIONS / MODULES



Motor SG 9060 can be equipped with following modules:

- SG 9063 Radio module SG Control L
- SG 11411 Radio module SG Control R
- SG 11270 Smart module

See catalogue "controls" for details.

D. OPERATING METHODS

See catalogue "controls" for details.

Wall switch



System can be operated by fixed wall switch.

SG Control L



Various radio hand-held and wall transmitters available.



Silent Gliss Move App.

SG Control R



Various radio hand-held and wall transmitters available.

Smart by Silent Gliss



Open designed two-way communication system which allows to flawlessly integrate products with most major building management systems. Smart module SG 11270 required.


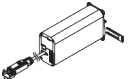
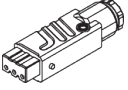
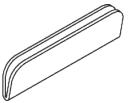
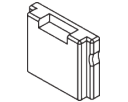
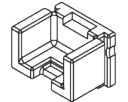
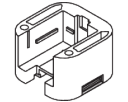
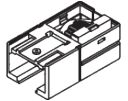
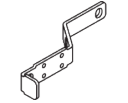
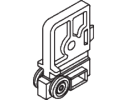
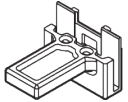
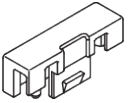
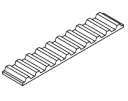
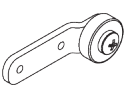
E. WIRING
DIAGRAMS

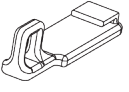
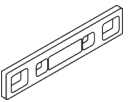
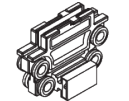

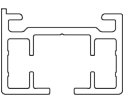
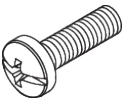


Refer to Silent Gliss website.

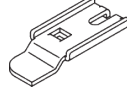
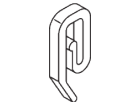
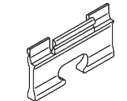
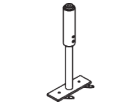



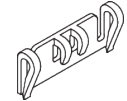

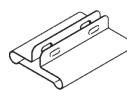
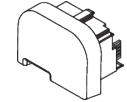
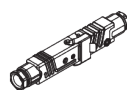
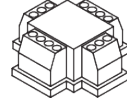
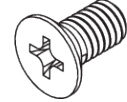
PARTS

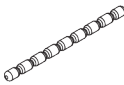
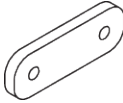
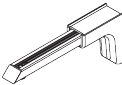
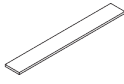
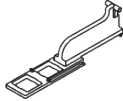
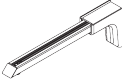
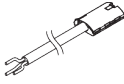
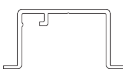
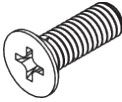

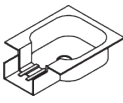
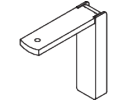

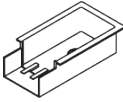
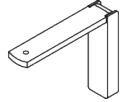

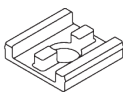
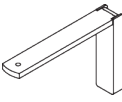
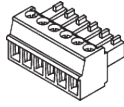
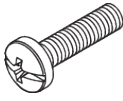
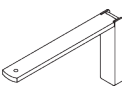

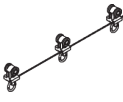
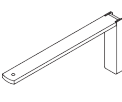
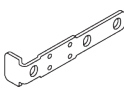
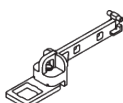
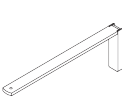

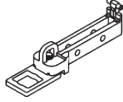
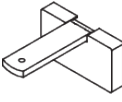
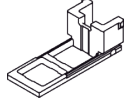
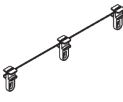
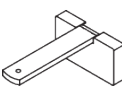
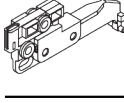
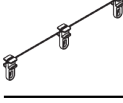
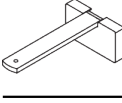
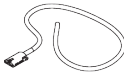
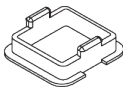
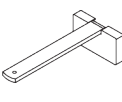
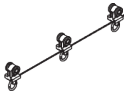
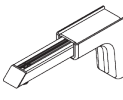
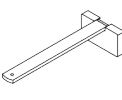
A. STANDARD PARTS

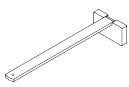
	SG 3004 Clamp
	SG 9060 Motor 100-250V AC & 24V DC
	SG 9917 Hirschmann portable socket-outlet STAK 3 N
	SG 10725 Programming distance holder
	SG 10815 Cover
	SG 10816 Cover
	SG 10817 Motor holder
	SG 10819 Belt return
	SG 10821 Overlap arm
	SG 10822 Master carrier
	SG 10823 Belt connector arm
	SG 10824 Belt connector pin
	SG 10825 Belt
	SG 10826 Overlap arm support

	SG 10836 Mask pair stack
	SG 10837 Pilot runner
	SG 10838 Pilot runner
	SG 10840 2C roller
	SG 10850 Profile
	SG 10923 Pan head screw Freedriv M4x12

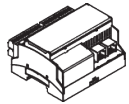
B. OPTIONAL PARTS

	SG 3041 Bracket
	SG 3582 Hook
	SG 5118 Wedge
	SG 6105 Hanger with plate
	SG 6107 V-Hanger with plate
	SG 6349 Wave curtain tape
	SG 6363 Wave top hemming tape
	SG 6365 Wave hanger
	SG 6794 Pan head screw 2.9x38 DIN 7981C
	SG 7002 Profile protector
	SG 9063 Radio module type L
	SG 9916 Hirschmann plug set
	SG 9959 Central control unit relay
	SG 10074 Countersunk head screw M4x8

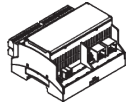
	SG 10075 Lead weight 50 g/m		SG 10854 Wave overlap plate		SG 11155 Universal Smart Fix 150 mm
	SG 10076 Fabric weight		SG 10856 Wave extension		SG 11156 Universal Smart Fix 200 mm
	SG 10293 Cable 230V AC, 2/3/5/10 m		SG 10862 Recess profile		SG 11158 Countersunk head screw M4x12
	SG 10300 Radio hand held 1 channel		SG 10863 Recess mask		SG 11200 Smart Fix 60 mm
	SG 10302 Radio hand held 5+1 channel		SG 10864 Recess mask		SG 11201 Smart Fix 80 mm
	SG 10303 Radio hand held 10+2+1 channel		SG 10865 Support plate		SG 11202 Smart Fix 100 mm
	SG 10714 Plug 6-pin, MC 1.5/6-ST-3.81		SG 10867 Pan head screw Freedriv M4x16		SG 11203 Smart Fix 120 mm
	SG 10804 Radio hand held 15+5+1 channel		SG 10869 Wave 2C roller cord 60 mm		SG 11204 Smart Fix 150 mm
	SG 10820 Overlap arm		SG 10886 Wave extension		SG 11205 Smart Fix 200 mm
	SG 10831 Connection bridge		SG 10887 Wave extension		SG 11210 Square Smart Fix 60 mm
	SG 10844 Wave end stop		SG 10905 Wave glider cord 80 mm		SG 11211 Square Smart Fix 80 mm
	SG 10845 Wave master carrier		SG 10906 Wave glider cord 60 mm		SG 11212 Square Smart Fix 100 mm
	SG 10851 2 m cable UL certified incl. plug only for USA		SG 10924 Wave glider support		SG 11213 Square Smart Fix 120 mm
	SG 10852 Wave 2C roller cord 80 mm		SG 11154 Universal Smart Fix 120 mm		SG 11214 Square Smart Fix 150 mm



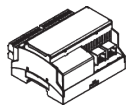
SG 11215
Square Smart Fix 200 mm



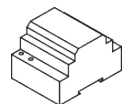
SG 11260
Gateway Cedia



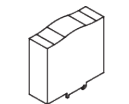
SG 11261
Gateway KNX



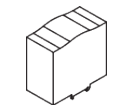
SG 11262
Expansion unit



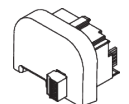
SG 11264
Power supply 24V DC, 3.8A DIN Rail



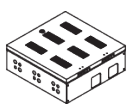
SG 11265
Power supply 24V DC, 5A DIN Rail



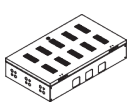
SG 11266
Power supply 24V DC, 10A DIN Rail



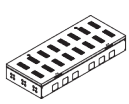
SG 11270
Smart module



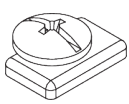
SG 11281
Cabinet for 8 systems



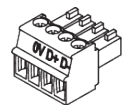
SG 11282
Cabinet for 24 systems



SG 11283
Cabinet for 56 systems



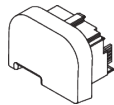
SG 11295
End stop



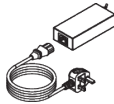
SG 11318
Plug 4-pin, MC 1.5/4-ST-3.5



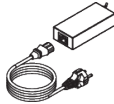
SG 11325
Smart plug 6-pin, MC 1.5/6 ST-3.81



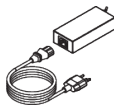
SG 11411
Radio module type R



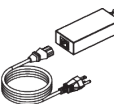
SG 11412
Power supply 24V / 4A lead including cable UK plug



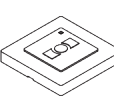
SG 11414
Power supply 24V / 4A including cable EU plug



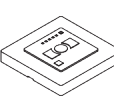
SG 11415
Power supply 24V / 4A including cable CH plug



SG 11416
Power supply 24V / 4A including cable US plug



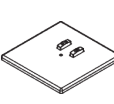
SG 11480
Radio wall transmitter 1 channel



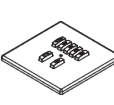
SG 11490
Radio wall transmitter 5+1 channel



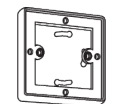
SG 20336
Hand held transmitter 8 channel



SG 20913
Wall switch single channel

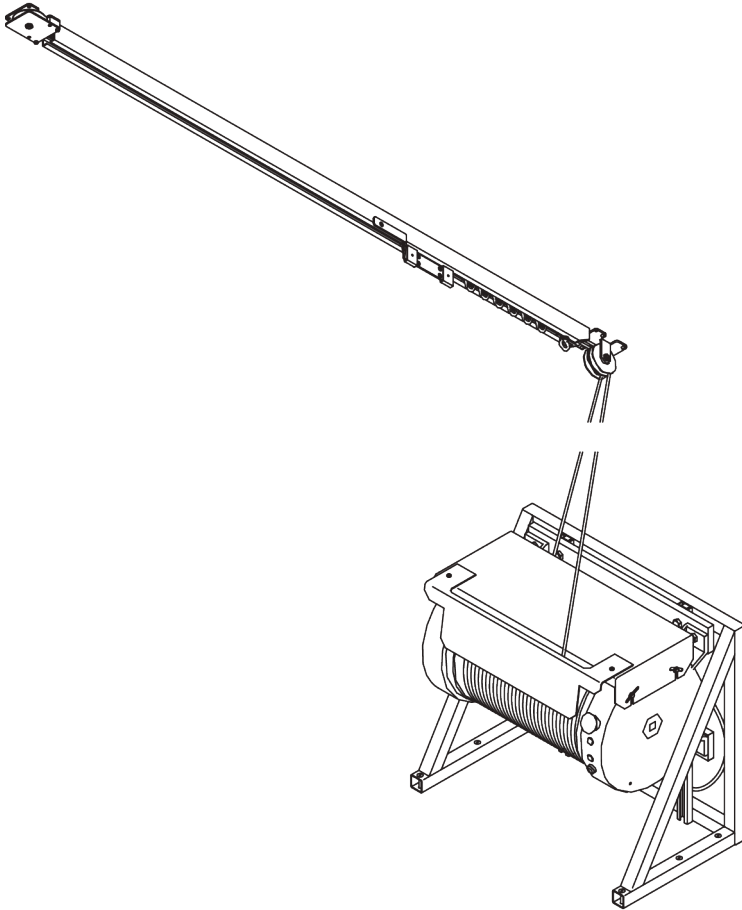


SG 20914
Wall switch 8 channel



SG 20917
Pattress box

SG 5800



PRODUCT INFORMATION

- **Operation:** motorised
- **Range:** L
- **Fitting:** ceiling, floor/wall motor fitting
- **Colours:** Anodised aluminum, special colours possible
- **Fabrics:** refer to Silent Gliss fabric collection

Features:

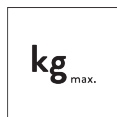
- Very heavy duty, up to 270 kg curtain weight
- Various control options
- Emergency stop button
- Bendable

SYSTEM SPECIFICATIONS

A. SYSTEM DIMENSIONS



60 m



270 kg

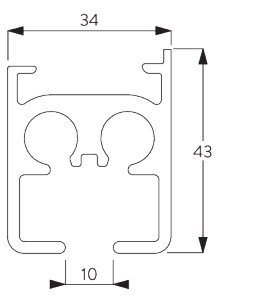
Max. curtain weights

	10 m	20 m	30 m	40 m	50 m	60 m
	245	227	210	-	-	-
	270	252	234	216	198	180
	185	173	160	-	-	-
	190	180	170	160	150	140
	135	127	120	-	-	-
	140	132	124	116	108	100
	70	65	60	-	-	-
	75	68	61	54	47	40
	55	45	40	-	-	-
	60	57	54	51	48	45

(kg max.)

B. PROFILE

Profile and bending information

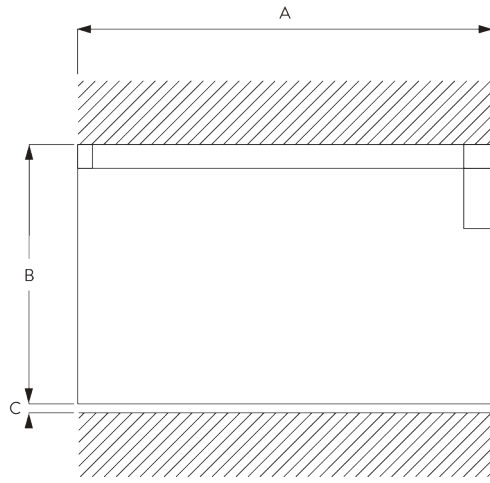


SG 5810

Profile

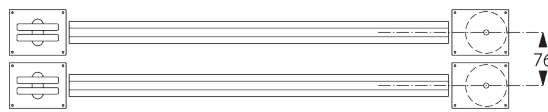
Radius:
>50 cm

**C. HOW TO
MEASURE**



A: System width
B: System height
C: Distance between floor and fabric

Parallel mounting of profiles



For better overlapping, two profiles can be mounted in parallel. Min. 76 mm between centre parts of return pulleys.

**D. SPECIFICATION
TEXT**

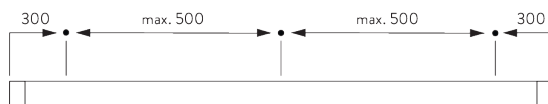
Silent Gliss SG 5800 Heavy Duty Electrically Operated Curtain Track System. Comprises anodised aluminium profile SG 5810 supplied complete and assembled with motor SG 5805. Motor mounted wall/floor mounted with SG 5813 frame. Includes non-stretch steel core drive cable SG 5814 in internal channels, cord guide SG 5816, cord guide return SG 5815 and roller gliders SG 5809 at 5/m. Top fixed with clamps SG 6209 approximately 500mm centres maximum. Operation by mains switch (not supplied) / optional radio remote control systems SG Control L / SG Control R. Motor supplied with mains in-line connector SG 9916. All wiring to be strictly in accordance with Silent Gliss wiring diagrams.

FITTING

**A. FITTING
INFORMATION**

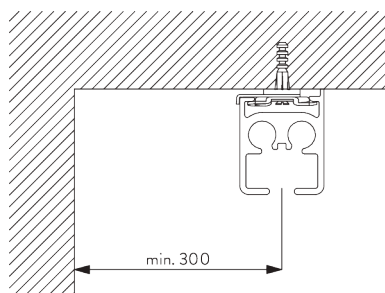
For detailed fitting information, visit the Silent Gliss website.

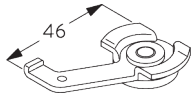
Fixing points



B. CEILING FITTING

Clamp SG 6209



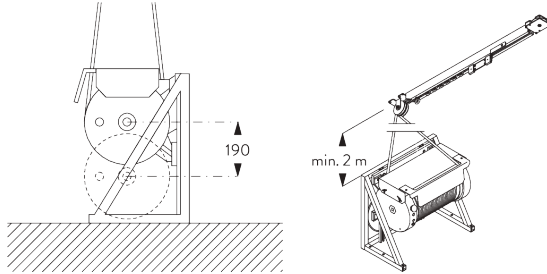


SG 6209

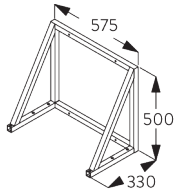
Clamp

C. MOTOR FITTING

**Floor with frame
SG 5813 and
SG 5821 / SG 5822**

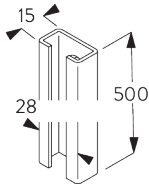


Steel core rope is tensioned by using the weight of the motor. Vertical variation possible up to 190 mm.



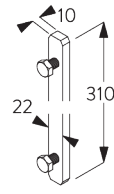
SG 5813

Floor mounting frame



SG 5821

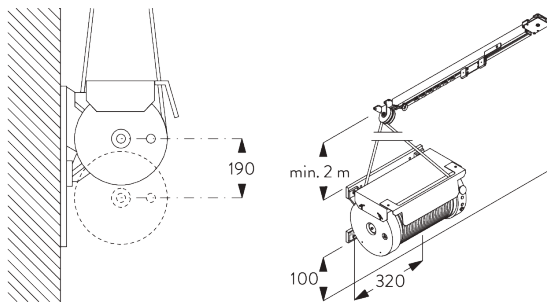
Anchor rail



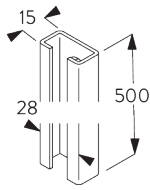
SG 5822

Sliding block

**Wall with SG 5821 /
SG 5822**

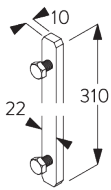


Steel core rope is tensioned by using the weight of the motor. Vertical variation possible up to 190 mm.



SG 5821

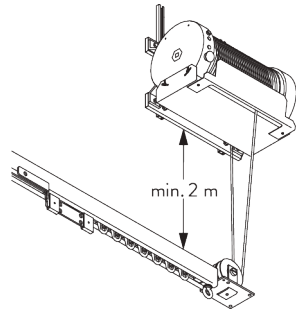
Anchor rail



SG 5822

Sliding block

Wall above track



MOTOR & CONTROLS

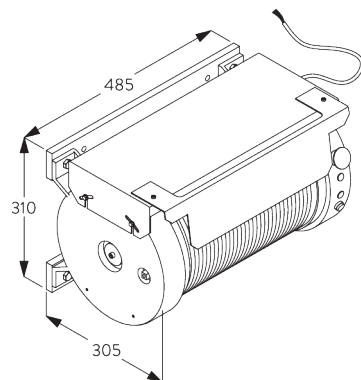
A. MOTOR FEATURES

Motor	SG 5805 230 V AC	SG 5805 115 V AC
Motor Features		
Mechanical end-stop	●	●
Mechanical revolution counter (limited revolution)	●	●
Control Features		
Mains power control	●	●
SG Control L (external receiver required)	●	●
Suitable for all common home automation systems (with suitable interface)	●	●

B. MOTOR SPECIFICATIONS

Motor	Motor dimensions	Power	Voltage	Current	Frequency	System speed / sec
SG 5805	L 485 x W 305 x H 310	500 W	230 V AC	2.2 A	50 Hz	20 cm / sec
SG 5805	L 485 x W 305 x H 310	550 W	115 V AC	5 A	60 Hz	20 cm / sec

C. MOTOR DIMENSIONS



**D. OPERATING
METHODS**

See catalogue "controls" for details.

Wall switch



System can be operated by fixed wall switch.

SG Control L



Various radio hand-held and wall transmitters available.
An external receiver is required.



Silent Gliss Move App.

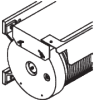
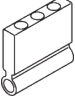
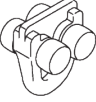

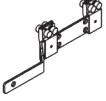
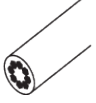
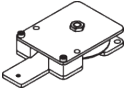
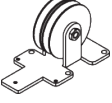



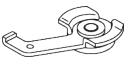
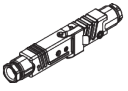
**E. WIRING
DIAGRAMS**




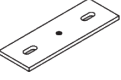

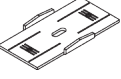
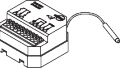
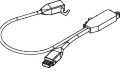
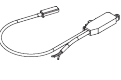







Refer to Silent Gliss website.

PARTS

A. STANDARD PARTS

	SG 5805 Motor 230V AC, 15/200
	SG 5806 Pilot runner
	SG 5809 Roller
	SG 5810 Profile
	SG 5811 Overlap arm
	SG 5814 Steel wire
	SG 5815 Guide return
	SG 5816 Cord guide
	SG 5821 Anchor rail
	SG 5822 Sliding block
	SG 5824 End stop
	SG 6209 Clamp
	SG 9916 Hirschmann plug set

B. OPTIONAL PARTS

	SG 5813 Floor mounting frame
	SG 5829 Fixing plate
	SG 6203 Connection bridge
	SG 6228 Bracket
	SG 9068 Radio receiver Revio
	SG 9944 Radio receiver 1 channel
	SG 9945 Radio receiver 1 channel
	SG 9959 Central control unit relay
	SG 10300 Radio hand held 1 channel
	SG 10302 Radio hand held 5+1 channel
	SG 10303 Radio hand held 10+2+1 channel
	SG 10804 Radio hand held 15+5+1 channel
	SG 11480 Radio wall transmitter 1 channel
	SG 11490 Radio wall transmitter 5+1 channel

The Architects of Silence

Silent Gliss is the leading global supplier of premium interior window treatments. Since 1952 we have been tirelessly committed to the development of the world's smoothest, quietest systems using state of the art technology.

Driven by customer needs, Silent Gliss offers functional and durable products. Expert technical advice coupled with installation and support services complete the offer. Silent Gliss stands for innovative, sustainable, tailor made solutions, exceptional design and first-class quality.

Silent Gliss Ltd.

Pyramid Business Park
Poorhole Lane, Broadstairs
Kent CT10 2PT
United Kingdom
T +44 1843 863571
F +44 1843 864503
info@silentgliss.co.uk

Silent Gliss Global Ltd.

Pyramid Business Park
Poorhole Lane, Broadstairs
Kent CT10 2PT
United Kingdom
T +44 1843 874250
F +44 1843 864503
info@silentglissglobal.com

Silent Gliss Blinds Trading LLC

Office 1906
The H Hotel Complex
Trade Center First
Dubai
United Arab Emirates
T +971 4 7050318
info@silentgliss.ae

silentgliss.co.uk
silentglissglobal.com
silentgliss.ae