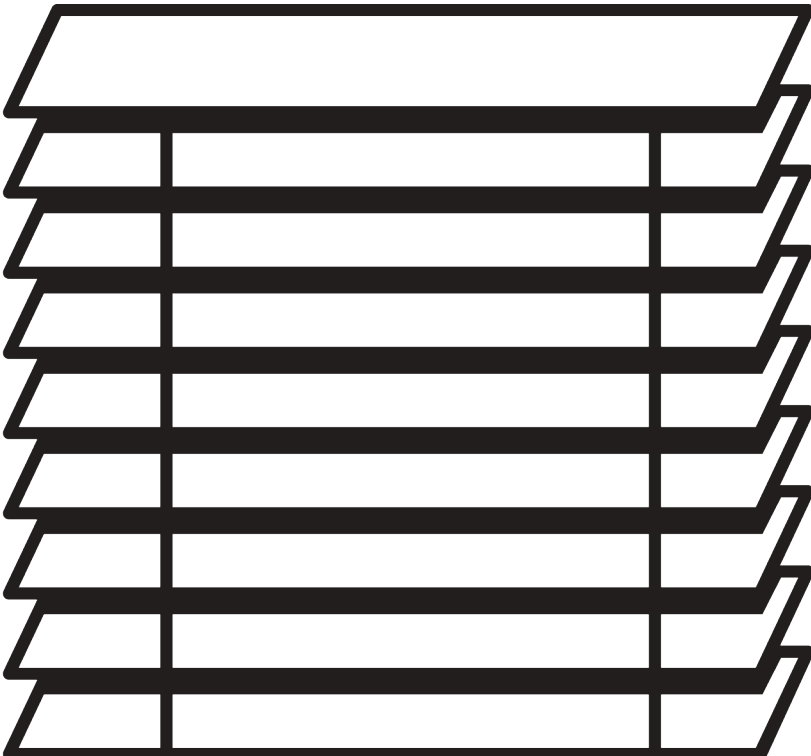


# VENETIAN BLIND SYSTEMS



# GENERAL NOTES

## **Dimensions**

- *Measurements are in mm except where indicated.*






## **Fitting**

- *Installation by qualified fitter only.*
- *Number of brackets and fitting positions / fixing points vary depending on fitting surface, system weight, slate type, screw / fixing type and obstacles.*
- *Qualified fitter must use appropriate screws / fixings for each situation.*
- *Profile lip if applicable to be installed to room side.*
- *Electrical installations must be carried out according to Silent Gliss wiring diagrams and conform to local regulations.*
- *Check space for cables and plugs!*

## **Child Safety**

- *All relevant Silent Gliss systems correspond to child safety EN 13120.*
- *All parties involved must comply with EN 13120.*

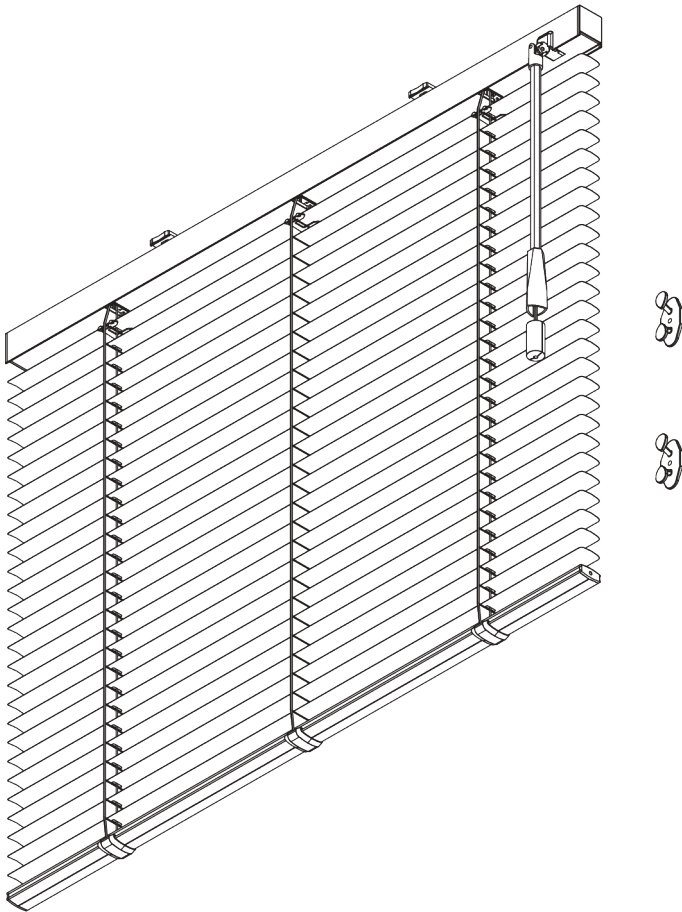
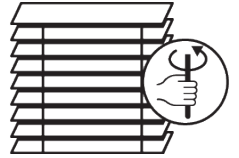
# APPLICATION CHART

<u>PAGE</u>	<u>SYSTEM</u>	<u>OPERATION</u>	<u>DIMENSION</u>	← max. →	↑ max. ↓
5	<b>SG 8110</b>		S - M	3 m	3 m
13	<b>SG 8910</b>		L	3.6 m	3.6 m
19	<b>SG 8300</b>		S - M	3 m	3 m
27	<b>SG 8250</b>		S - M	3 m	3.4 m
37	<b>SG 8960</b>		L	3.6 m	3.6 m



# SG 8110

---



## **PRODUCT INFORMATION**

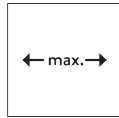
- **Operation** control wand
- **Range:** S - M
- **Fitting:** ceiling, wall
- **Colours:** refer to Silent Gliss slat collection

### **Features:**

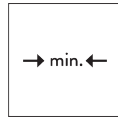
- Optimised light control
- Convenient turning of the slats using the control wand
- Multifunctional control wand
- Slat width: 25 mm (standard), 16 mm
- Privacy control (PC)

# SYSTEM SPECIFICATIONS

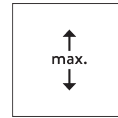
## A. SYSTEM DIMENSIONS



25 mm slats: 3 m  
16 mm slats: 2.5 m



28 cm

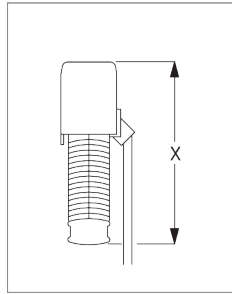




25 mm slats: 3 m  
16 mm slats: 2.5 m



25 mm slats: 7 m<sup>2</sup>  
16 mm slats: 5 m<sup>2</sup>

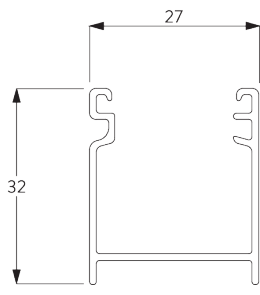
## Slat stack heights

							
		50	100	150	200	250	300
25 mm (PC)	X	7	9	11	13	15	17
16 mm	X	7	9	11	13	15	

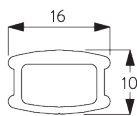
(cm)

## B. PROFILE

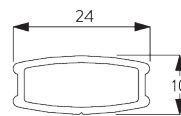
### Profile information



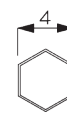
**SG 10037**  
Profile



**SG 8003**  
Bottom bar 16 mm

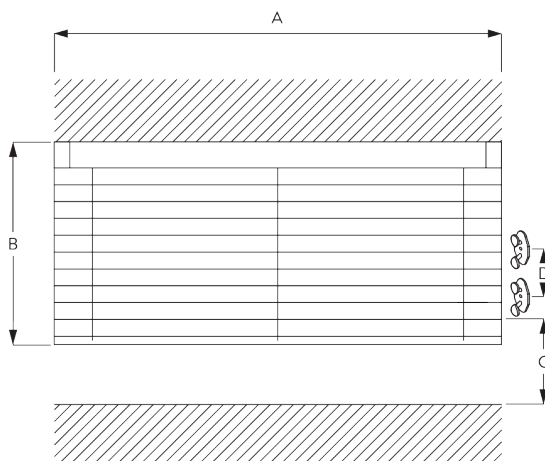


**SG 8004**  
Bottom bar 24 mm



**SG 8120**  
Shaft

## C. HOW TO MEASURE



A: System width  
B: System height  
C: Cleats SG 10742 min. 150 cm above floor  
D: 7 - 35 cm depending on system height

## D. SPECIFICATION TEXT

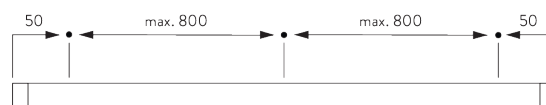
**Silent Gliss SG 8110 / SG 8110PC Wand Operated Venetian Blind System.** Supplied made to measure and complete comprising aluminium headrail SG 10037. Dual operation with control wand including breakaway cord connector which combines tilt/raise/lowering of slats, left or right-hand operation with various wand lengths available. Integrated brake ensures precise and controlled lowering. SG 8110PC version (25mm slats only) features concealed slat punching. System fixed with snap on brackets SG 10101 to ceiling / wall at 800-1000mm intervals plus one 50mm from each end. Optional side-guide wires available for sloped applications up to 15° incline from vertical. Compliant to Child Safety Legislation EN13120 when used in conjunction with cleats SG 10742 and break away cord connector SG 10748. Slat to be chosen from Silent Gliss 16mm or 25mm range, Price Group 1 / 2 / 3.

# FITTING

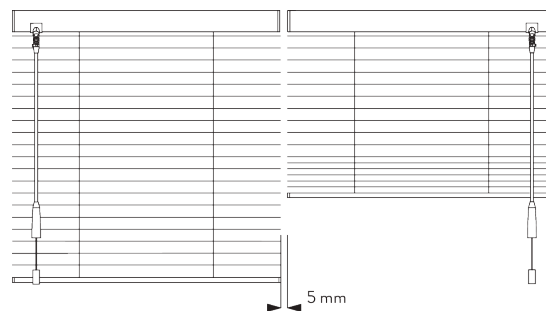
## A. FITTING INFORMATION

For detailed fitting information, visit the Silent Gliss website.

### Fixing points

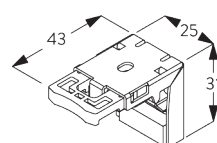
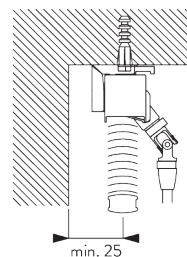


### Side-by-side fitting



## B. CEILING FITTING

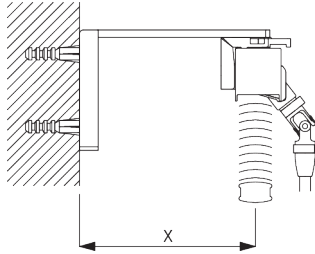
### Bracket SG 10101



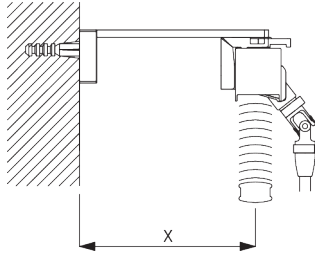
SG 10101  
Bracket

## C. WALL FITTING

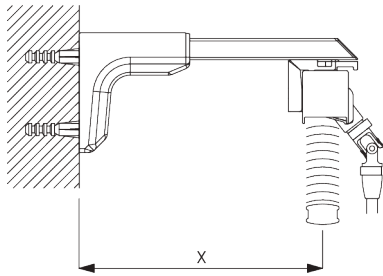
### Smart Fix



**Smart Fix SG 11200 - SG 11201 and bracket SG 10101:**  
Screw SG 10395 (M4x6) needed.

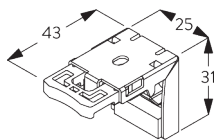


**Square Smart Fix SG 11210 - SG 11211 and bracket SG 10101:**  
Screw SG 10395 (M4x6) needed.



**Universal Smart Fix SG 11154 - SG 11156 and bracket SG 10101:**  
Screw SG 10407 (M4x10) needed.

Smart Fix	X mm
SG 11200 / SG 11210	57-59
SG 11201 / SG 11211	77-79
SG 11154	107-135
SG 11155	137-165
SG 11156	187-215



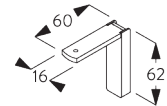
**SG 10101**  
Bracket



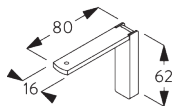
**SG 10395**  
Pan head screw M4x6



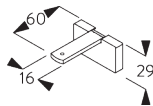
**SG 10407**  
Pan head screw M4x10



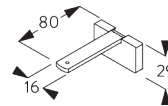
**SG 11200**  
Smart Fix 60 mm



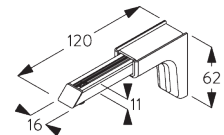
**SG 11201**  
Smart Fix 80 mm



**SG 11210**  
Square Smart Fix 60 mm

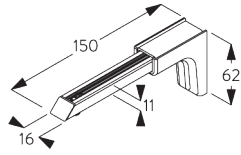


**SG 11211**  
Square Smart Fix 80 mm

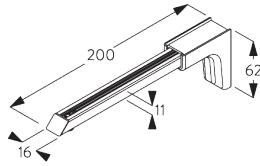


**SG 11154**  
Universal Smart Fix 120 mm



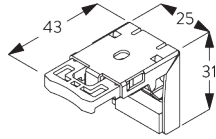
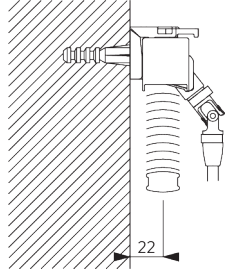


**SG 11155**  
Universal Smart Fix 150 mm



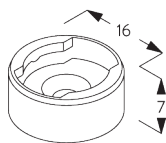
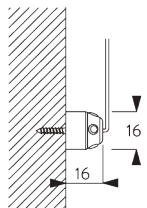
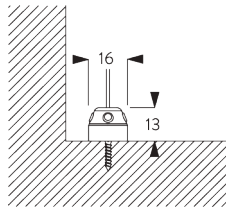
**SG 11156**  
Universal Smart Fix 200 mm

**Bracket SG 10101**

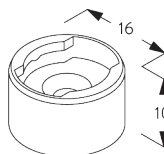


**SG 10101**  
Bracket

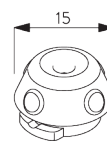
**D. FITTING WITH  
SIDE GUIDE  
OPTION**



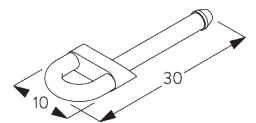
**SG 8235**  
Side guide wire base short



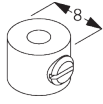
**SG 8236**  
Side guide wire base long



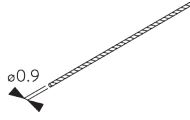
**SG 8237**  
Side guide wire holder



**SG 8241**  
Side guide eyelet



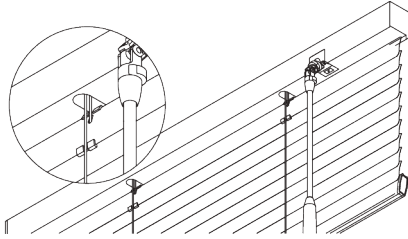
**SG 8249**  
Side guide device



**SG 10120**  
Side guide wire  $\varnothing$  0.9 mm

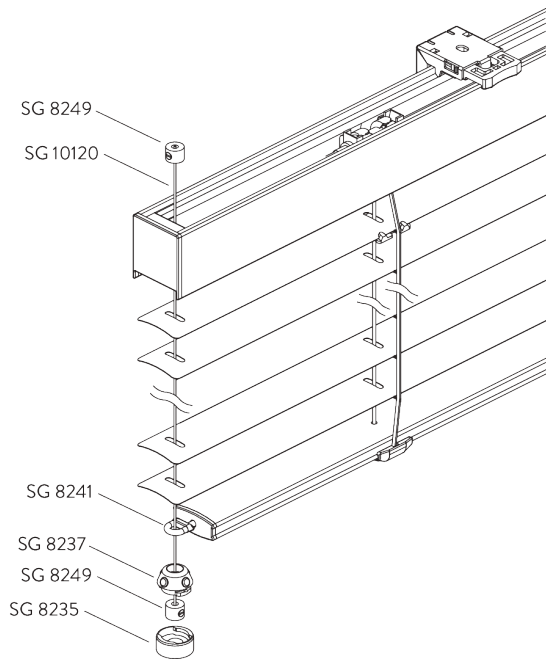
# SYSTEM OPTIONS

## A. PRIVACY CONTROL (PC)



To avoid direct light ingress when slats are closed.  
For 25 mm slats only. Not applicable with side guides.

## B. SIDE GUIDES



Additional parts:



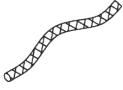


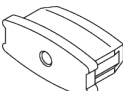
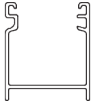
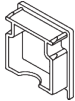
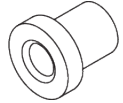
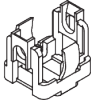
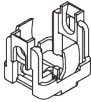
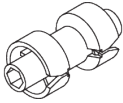
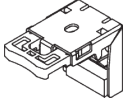
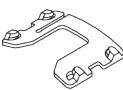
- 2x SG 8235 Side guide wire base short
- 2x SG 8237 Side guide wire holder
- 2x SG 8241 Side guide eyelet
- 4x SG 8249 Side guide device
- 2x SG 10120 Side guide wire  $\varnothing$  0.9 mm

Note:

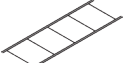



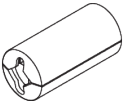


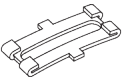


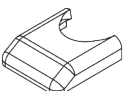

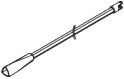

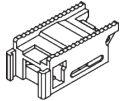
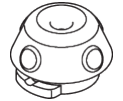
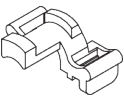
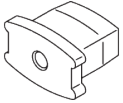
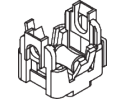
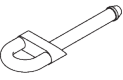
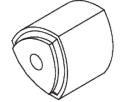
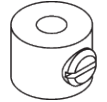
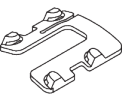
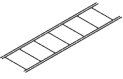
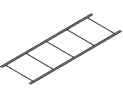
- Up to 15° from vertical

# PARTS

## A. STANDARD PARTS

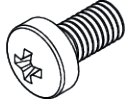
	<b>SG 8004</b> Bottom bar 24 mm
	<b>SG 8007</b> Slat 25 mm
	<b>SG 8011</b> Lift cord ø 1.2 mm
	<b>SG 8013</b> Bottom clip 25 mm
	<b>SG 8120</b> Shaft
	<b>SG 8239</b> End cover 25 mm
	<b>SG 10037</b> Profile
	<b>SG 10077</b> End cover
	<b>SG 10081</b> Shaft stop
	<b>SG 10086</b> Tilter holder without pulley
	<b>SG 10087</b> Tilter holder with pulley
	<b>SG 10088</b> Tilter
	<b>SG 10101</b> Bracket
	<b>SG 10104</b> Slat clip 25 mm

## B. OPTIONAL PARTS

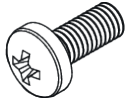
	<b>SG 10117</b> Ladder cord 25 mm		<b>SG 8003</b> Bottom bar 16 mm
	<b>SG 10742</b> Child safety cord cleat		<b>SG 8006</b> Slat 16 mm
	<b>SG 10748</b> Child safety break away cord connector		<b>SG 8012</b> Bottom clip 16 mm
	<b>SG 10898</b> Child safety cord bush		<b>SG 8109</b> Slat clip 25 mm
	<b>SG 11491</b> Gear box		<b>SG 8148</b> Projection block
	<b>SG 11492</b> Gear box cover		<b>SG 8235</b> Side guide wire base short
	<b>SG 11496</b> Control wand 680 mm		<b>SG 8236</b> Side guide wire base long
	<b>SG 11509</b> Cord stop		<b>SG 8237</b> Side guide wire holder
	<b>SG 11510</b> Cord stop cover		<b>SG 8238</b> End cover 16 mm
	<b>SG 11511</b> Tilter holder with pulley		<b>SG 8241</b> Side guide eyelet
	<b>SG 11512</b> Cord end cap		<b>SG 8249</b> Side guide device
			<b>SG 10109</b> Slat clip 16 mm
			<b>SG 10116</b> Ladder cord 16 mm
			<b>SG 10118</b> Ladder cord 25 mm PC



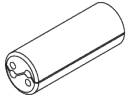
**SG 10120**  
Side guide wire ø 0.9 mm



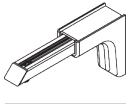
**SG 10395**  
Pan head screw M4x6



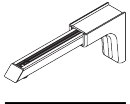
**SG 10407**  
Pan head screw M4x10



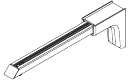
**SG 10745**  
Child safety break away cord connector



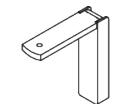
**SG 11154**  
Universal Smart Fix 120 mm



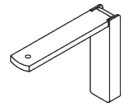
**SG 11155**  
Universal Smart Fix 150 mm



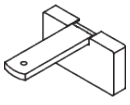
**SG 11156**  
Universal Smart Fix 200 mm



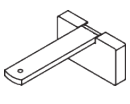
**SG 11200**  
Smart Fix 60 mm



**SG 11201**  
Smart Fix 80 mm



**SG 11210**  
Square Smart Fix 60 mm



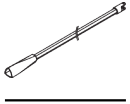
**SG 11211**  
Square Smart Fix 80 mm



**SG 11494**  
Control wand 320 mm



**SG 11495**  
Control wand 480 mm



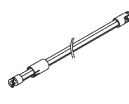
**SG 11497**  
Control wand 880 mm



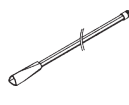
**SG 11498**  
Control wand 1080 mm



**SG 11499**  
Control wand 1280 mm



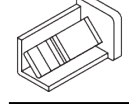
**SG 11501**  
Extension 900 mm



**SG 11505**  
Control wand for extension 580 mm



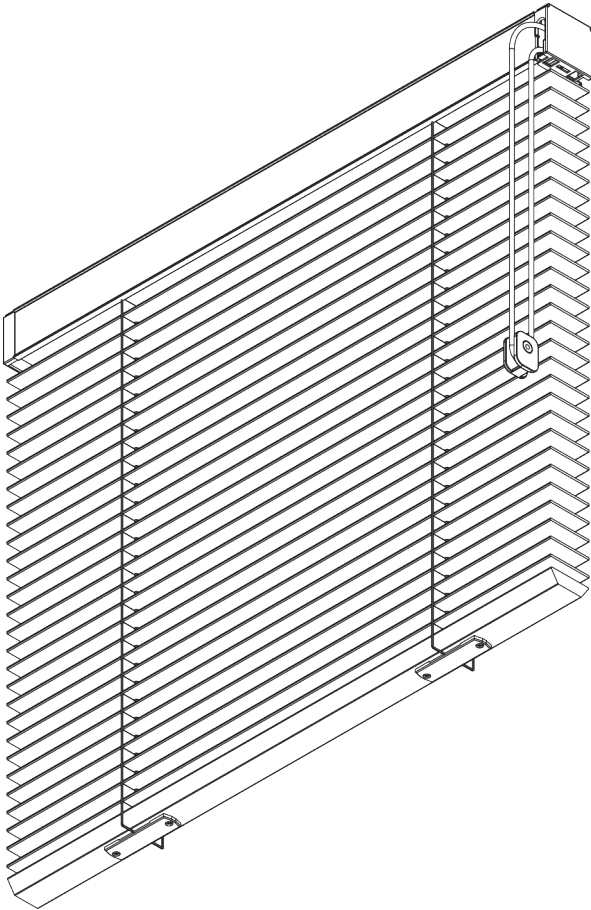
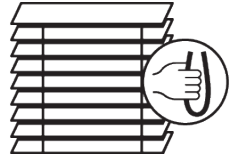
**SG 11506**  
Control wand for extension 780 mm



**SG 11516**  
Wedge

# SG 8910

---



## **PRODUCT INFORMATION**

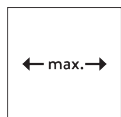
- **Operation:** cord
- **Range:** L
- **Fitting:** ceiling, wall
- **Colours:** refer to Silent Gliss slat collection

### **Features:**

- Optimised light control
- Speed controller: semi-automatic lowering of slats
- Wood, aluminium and leather slats
- Slat width: 50 mm
- Headrail slat cover
- Choice of ladder cord or decorative slat tape

# SYSTEM SPECIFICATIONS

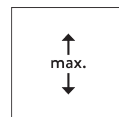
## A. SYSTEM DIMENSIONS



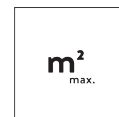
Wood / Leather: 2.4 m  
Aluminium: 3.6 m



65 cm



Wood / Leather: 2.75 m  
Aluminium: 3.6 m



Wood / Leather: 4.6 m<sup>2</sup>  
Aluminium: 10 m<sup>2</sup>

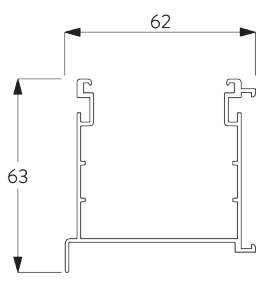
## Slat stack heights

Note: stack size will be larger when tapes are used

Wooden										
			60	90	120	150	180	210	240	275
50 mm	X		12	15	17	20	22	25	27	30
(cm)										
Leather										
			60	90	120	150	180	210	240	275
50 mm	X		14	16	18	20	22	24	26	28
(cm)										
Aluminium										
			100	200	300	360				
50 mm	X		10	13	17	20				
(cm)										

## B. PROFILE

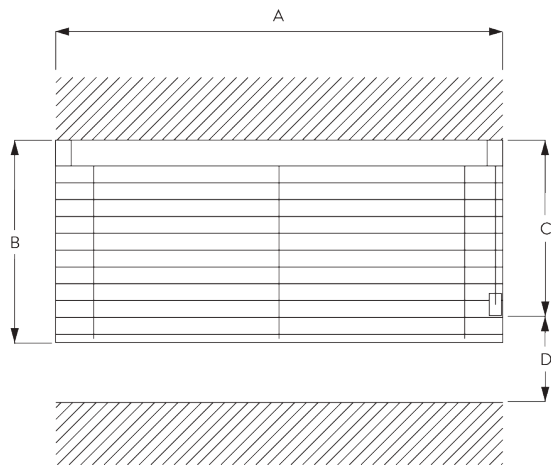
### Profile information



**SG 8902**

Profile

**C. HOW TO  
MEASURE**



A: System width  
 B: System height  
 C: Cord height  
 D: Safety Retainer SG 10731 min. 150 cm above floor

**D. SPECIFICATION  
TEXT**

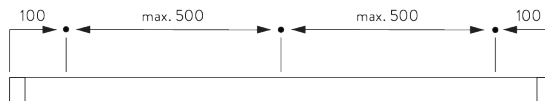
**Silent Gliss SG 8910 Cord Operated Venetian Blind System.** Supplied made to measure and complete comprising aluminium headrail SG 8902 incorporating matching colour slat, right or left-hand side single cord operation which permits raising, lowering and tilting of the slats. System fixed with universal brackets SG 8920 to ceiling or wall at 500mm intervals plus one at 100mm from each end. Compliant to Child Safety legislation EN 13120 when used in conjunction with Cord Retainer 10400. Slat colours to be chosen from Silent Gliss 50mm aluminium / wood / leather range.

**FITTING**

**A. FITTING  
INFORMATION**

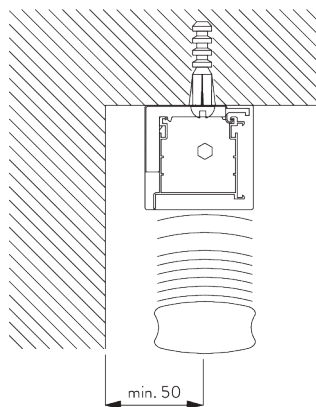
For detailed fitting information, visit the Silent Gliss website.

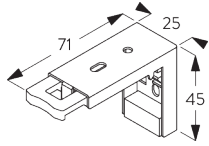
**Fixing points**



**B. CEILING FITTING**

**Bracket SG 8920**



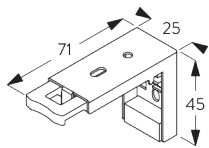
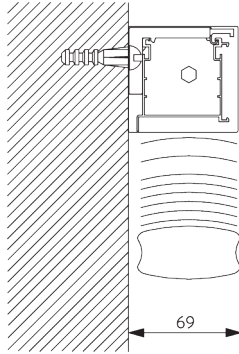


**SG 8920**

*Bracket*

**C. WALL FITTING**

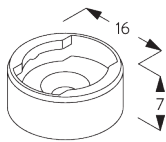
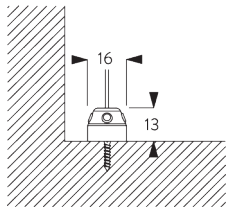
**Bracket SG 8920**



**SG 8920**

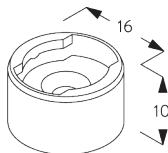
*Bracket*

**D. FITTING WITH  
SIDE GUIDE  
OPTION**



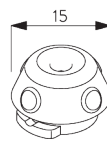
**SG 8235**

*Side guide wire base short*



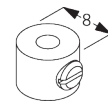
**SG 8236**

*Side guide wire base long*



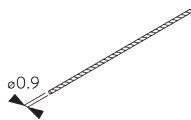
**SG 8237**

*Side guide wire holder*



**SG 8249**

*Side guide device*



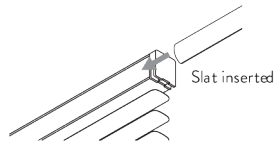
**SG 10120**

*Side guide wire  $\varnothing$  0.9 mm*



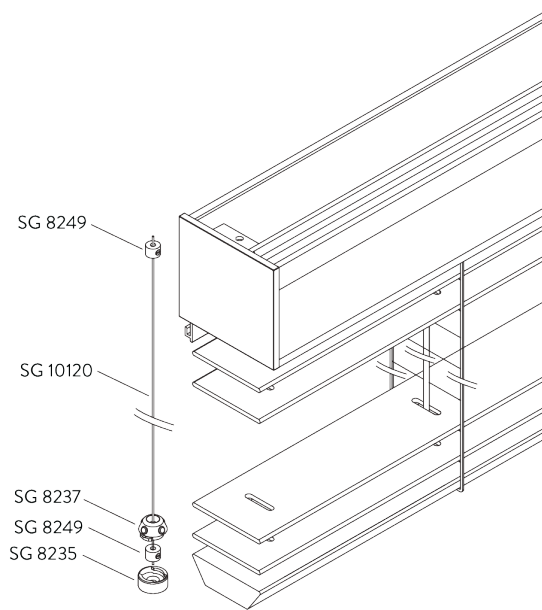
# SYSTEM OPTIONS

## A. HEADRAIL SLAT COVER



- A slat is inserted into the headrail for perfect matching of colours and materials to avoid the need to fit a cumbersome valance.
- For leather slat blinds there is the option of a leather covered headrail at an additional cost.
- Leather covered slats cannot be specified with decorative (external) slat tapes. The blind hardware is supplied matching the slat colour.

## B. SIDE GUIDES



Additional parts:

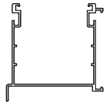
- 2x SG 8235 Side guide wire base short
- 2x SG 8237 Side guide wire holder
- 4x SG 8249 Side guide device
- 2x SG 10120 Side guide wire  $\varnothing$  0.9 mm

Note:

- Up to 15° from vertical

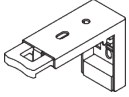
# PARTS

## A. STANDARD PARTS



**SG 8902**

Profile



**SG 8920**

Bracket



**SG 10731**

Child safety retainer set

## B. OPTIONAL PARTS



**SG 8235**

Side guide wire base short



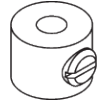
**SG 8236**

Side guide wire base long



**SG 8237**

Side guide wire holder



**SG 8249**

Side guide device

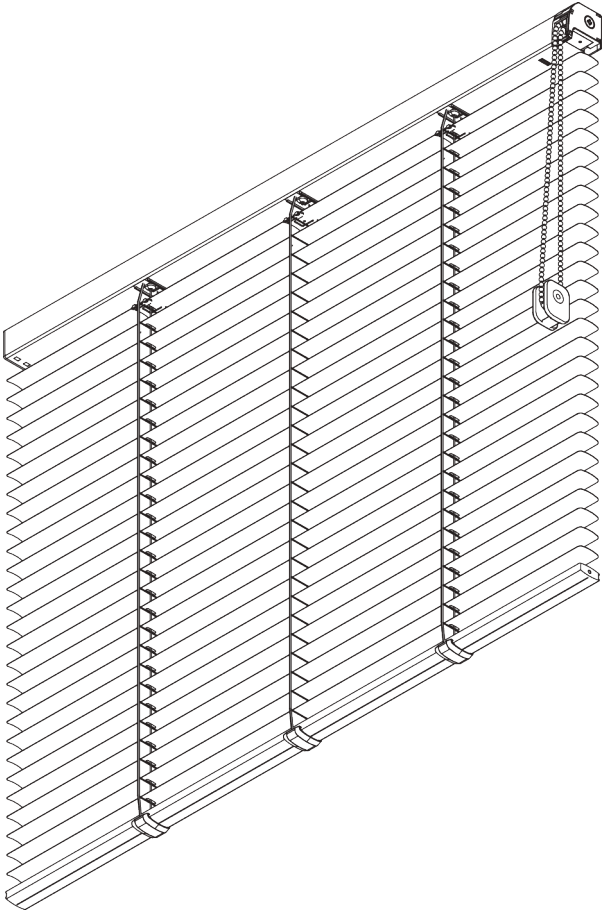
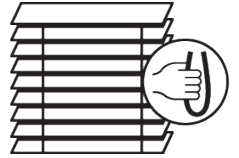


**SG 10120**

Side guide wire  $\varnothing$  0.9 mm

# SG 8300

---



## PRODUCT INFORMATION

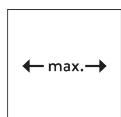
- **Operation:** chain
- **Range:** S - M
- **Fitting:** ceiling, wall
- **Colours:** refer to Silent Gliss slat collection

### **Features:**

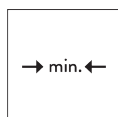
- Optimised light control
- Mono controlled
- Stainless steel bead chain
- Slat width: 25 mm (standard), 16 mm

# SYSTEM SPECIFICATIONS

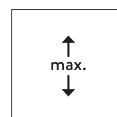
## A. SYSTEM DIMENSIONS



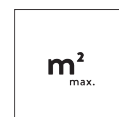
3 m



50 cm



3 m



4.5 m<sup>2</sup>

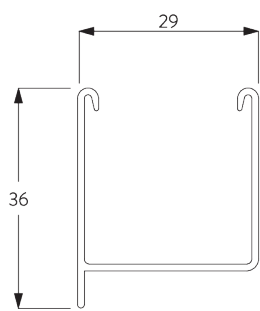
## Slat stack heights

		50	100	150	200	250	300
16 / 25 mm	X	7	9	11	13	15	17

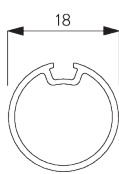
(cm)

## B. PROFILE

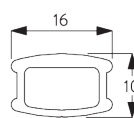
### Profile information



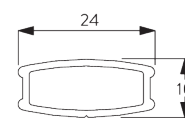
**SG 8301**  
Profile



**SG 8214**  
Profile ø 18 mm

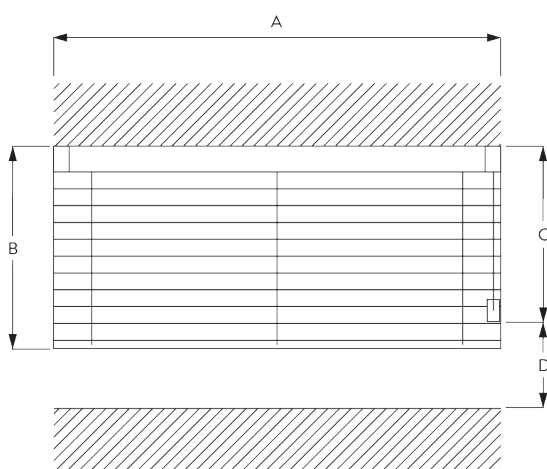


**SG 8003**  
Bottom bar 16 mm



**SG 8004**  
Bottom bar 24 mm

## C. HOW TO MEASURE



- A: System width
- B: System height
- C: Chain height
- D: Safety Retainer SG 10731 min. 150 cm above floor

**D. SPECIFICATION**  
**TEXT**

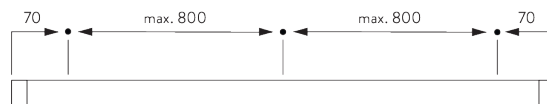
**Silent Gliss SG 8300 Chain Operated Venetian Blind System.** Supplied made to measure and complete comprising aluminium headrail SG 8301 incorporating flange to minimise light ingress at top of blind. Single chain operation RHS / LHS. System fixed with Snap-on-brackets SG 8302 to ceiling / wall at 800-1000mm intervals plus one 70mm from each end. Compliant to Child Safety legislation EN 13120 when used in conjunction with either the chain retainer SG 10400 or child safety device SG 10482. Slat colour to be chosen from Silent Gliss 16/25mm range, Price Group 1 / 2 / 3.

# FITTING OPTIONS

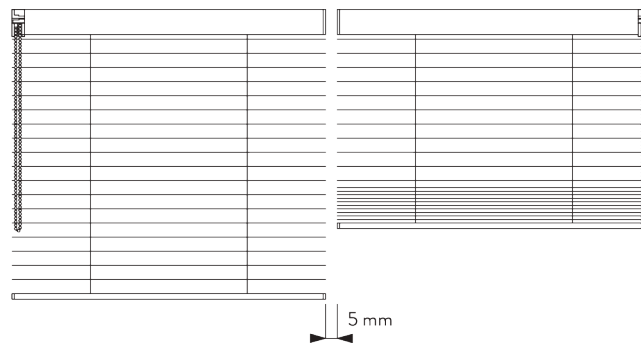
**A. FITTING**  
**INFORMATION**

For detailed fitting information, visit the Silent Gliss website.

**Fixing points**



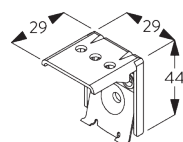
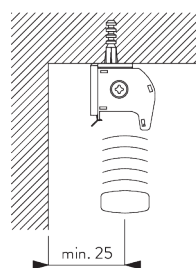
**Side-by-side fitting**



Min. distance: 5 mm

**B. CEILING FITTING**

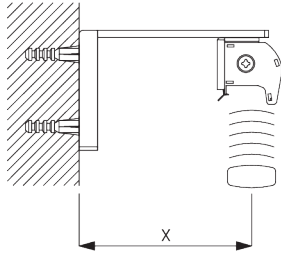
**Bracket SG 8302**



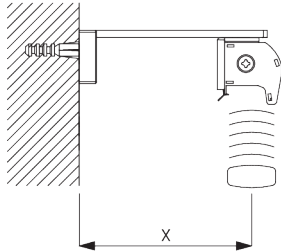
**SG 8302**  
Bracket

## C. WALL FITTING

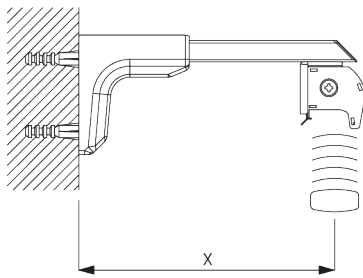
### Smart Fix



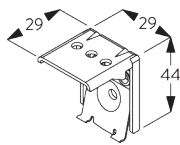
**Smart Fix SG 11200 - SG 11201 and bracket SG 8302:**  
Screw SG 10395 (M4x6) needed.



**Square Smart Fix SG 11210 - SG 11211  
and bracket SG 8302:**  
Screw SG 10395 (M4x6) needed.



**Universal Smart Fix SG 11154 - SG 11156  
and bracket SG 8302:**  
Screw SG 10407 (M4x10) needed.



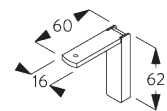
**SG 8302**  
Bracket



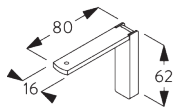
**SG 10395**  
Pan head screw M4x6



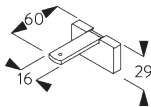
**SG 10407**  
Pan head screw M4x10



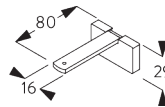
**SG 11200**  
Smart Fix 60 mm



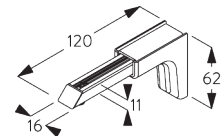
**SG 11201**  
Smart Fix 80 mm



**SG 11210**  
Square Smart Fix 60 mm

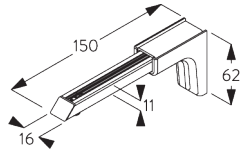


**SG 11211**  
Square Smart Fix 80 mm

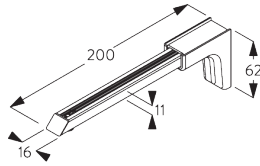


**SG 11154**  
Universal Smart Fix 120 mm

Smart Fix	X mm
SG 11200 / SG 11210	59
SG 11201 / SG 11211	79
SG 11154	109-137
SG 11155	139-167
SG 11156	189-217

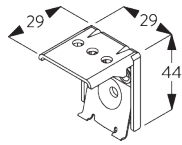
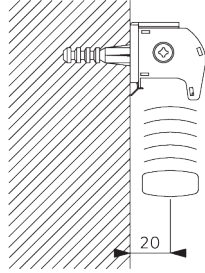


**SG 11155**  
Universal Smart Fix 150 mm



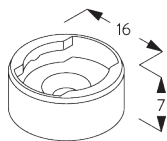
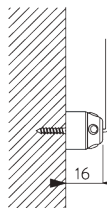
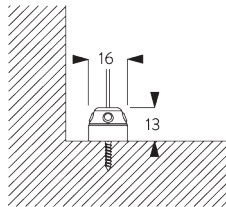
**SG 11156**  
Universal Smart Fix 200 mm

**Bracket SG 8302**

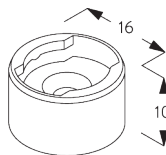


**SG 8302**  
Bracket

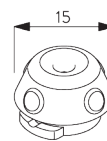
**D. FITTING WITH  
SIDE GUIDE  
OPTION**



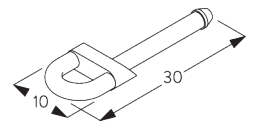
**SG 8235**  
Side guide wire base short



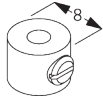
**SG 8236**  
Side guide wire base long



**SG 8237**  
Side guide wire holder

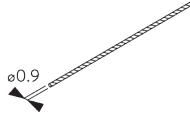


**SG 8241**  
Side guide eyelet



**SG 8249**

Side guide device

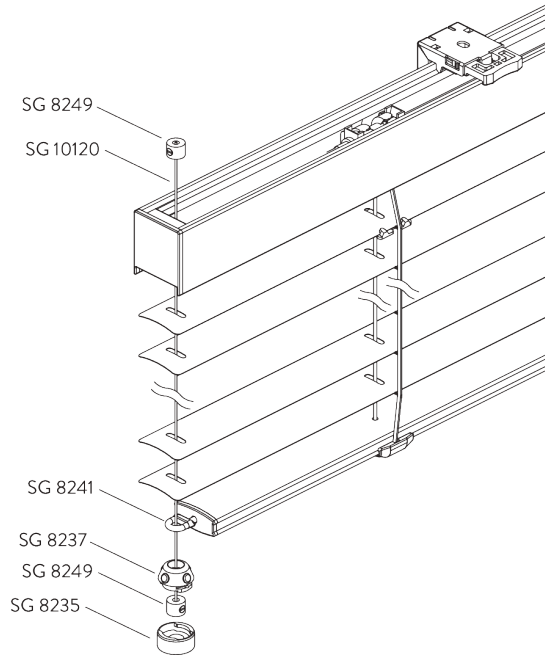


**SG 10120**

Side guide wire  $\varnothing$  0.9 mm

# SYSTEM OPTIONS

## A. SIDE GUIDES



Additional parts:

- 2x SG 8235 Side guide wire base short
- 2x SG 8237 Side guide wire holder
- 2x SG 8241 Side guide eyelet
- 4x SG 8249 Side guide device
- 2x SG 10120 Side guide wire  $\varnothing$  0.9 mm



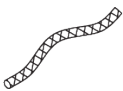


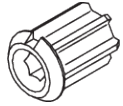


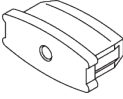
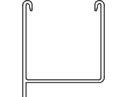
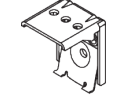
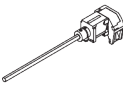
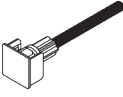
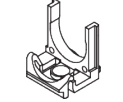
Note:

- Up to 15° from vertical

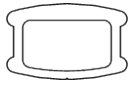




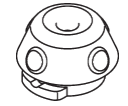
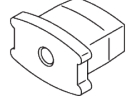
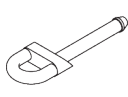
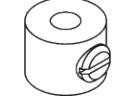
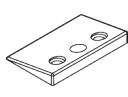
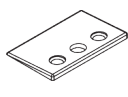
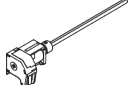
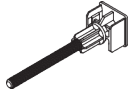
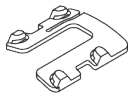


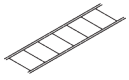
# PARTS

## A. STANDARD PARTS

	<b>SG 8004</b> Bottom bar 24 mm
	<b>SG 8007</b> Slat 25 mm
	<b>SG 8011</b> Lift cord ø 1.2 mm
	<b>SG 8013</b> Bottom clip 25 mm
	<b>SG 8214</b> Profile ø 18 mm
	<b>SG 8215</b> Tube adapter
	<b>SG 8222</b> Ring
	<b>SG 8224</b> Pin
	<b>SG 8239</b> End cover 25 mm
	<b>SG 8301</b> Profile
	<b>SG 8302</b> Bracket
	<b>SG 8305</b> Chain drive right
	<b>SG 8317</b> Spindle left
	<b>SG 8321</b> Support

## B. OPTIONAL PARTS

	<b>SG 8003</b> Bottom bar 16 mm
	<b>SG 8006</b> Slat 16 mm
	<b>SG 8012</b> Bottom clip 16 mm
	<b>SG 8235</b> Side guide wire base short
	<b>SG 8236</b> Side guide wire base long
	<b>SG 8237</b> Side guide wire holder
	<b>SG 8238</b> End cover 16 mm
	<b>SG 8241</b> Side guide eyelet
	<b>SG 8249</b> Side guide device
	<b>SG 8262</b> Spacer 10°
	<b>SG 8263</b> Spacer 4°
	<b>SG 8306</b> Chain drive left
	<b>SG 8316</b> Spindle right
	<b>SG 10109</b> Slat clip 16 mm

**SG 10116**

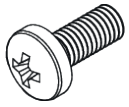
Ladder cord 16 mm

**SG 10120**

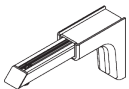
Side guide wire ø 0.9 mm

**SG 10395**

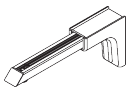
Pan head screw M4x6

**SG 10407**

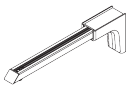
Pan head screw M4x10

**SG 11154**

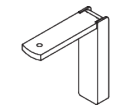
Universal Smart Fix 120 mm

**SG 11155**

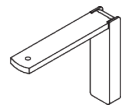
Universal Smart Fix 150 mm

**SG 11156**

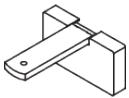
Universal Smart Fix 200 mm

**SG 11200**

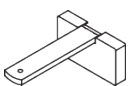
Smart Fix 60 mm

**SG 11201**

Smart Fix 80 mm

**SG 11210**

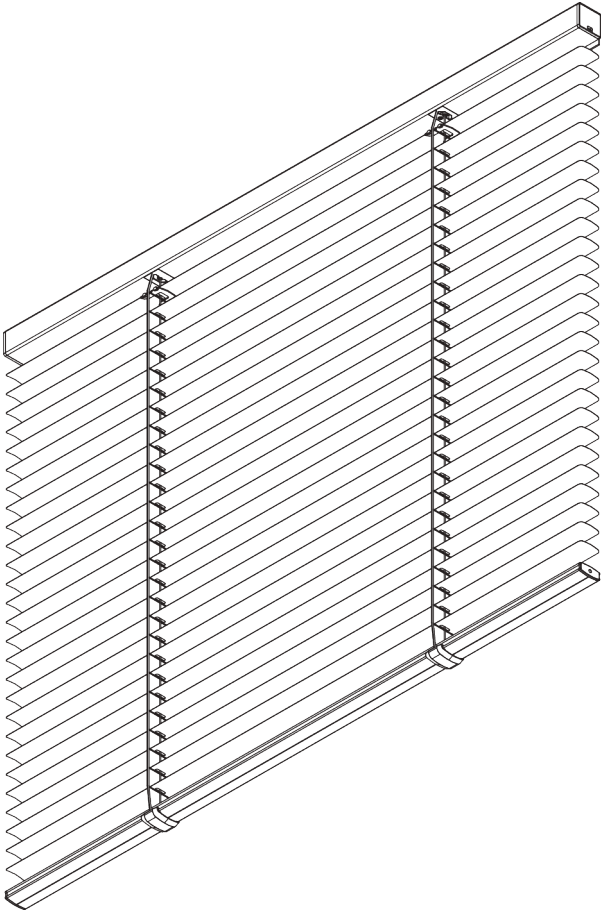
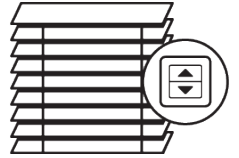
Square Smart Fix 60 mm

**SG 11211**

Square Smart Fix 80 mm

# SG 8250

---



## **PRODUCT INFORMATION**

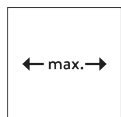
- **Operation:** motorised
- **Range:** S - M
- **Fitting:** ceiling, wall
- **Colours:** refer to Silent Gliss slat collection

### **Features:**

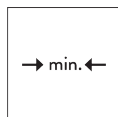
- Optimised light control
- Various control options
- Slat width: 25 mm (standard), 16 mm

# SYSTEM SPECIFICATIONS

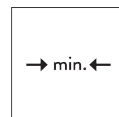
## A. SYSTEM DIMENSIONS



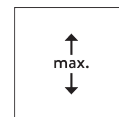
3 m



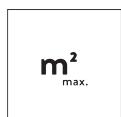
65 cm  
(up to a height of 2 m)



80 cm  
(up to a height of 3.4 m)



3.4 m



5 m<sup>2</sup>

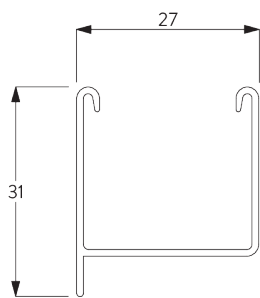
## Slat stack heights

		50	100	150	200	250	300	340
16 / 25 mm	X	6	8	10	12	14	15	17

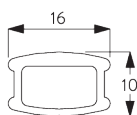
(cm)

## B. PROFILE

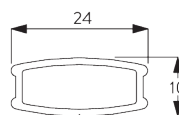
### Profile information



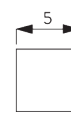
**SG 8102**  
Profile



**SG 8003**  
Bottom bar 16 mm

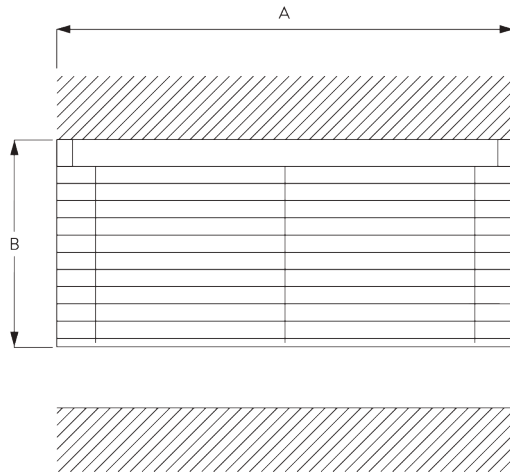


**SG 8004**  
Bottom bar 24 mm



**SG 8025**  
Shaft

**C. HOW TO  
MEASURE**



A: System width  
B: System height

**D. SPECIFICATION  
TEXT**

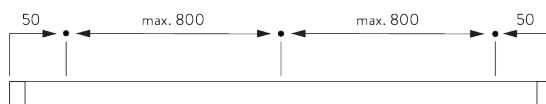
**Silent Gliss SG 8250 Electrically Operated Venetian Blind System.** Supplied made to measure and complete comprising aluminium headrail SG 8102 incorporating a flange to minimise light ingress at top of blind. Fixed to ceiling or wall with snap on brackets SG 8201 at 800-1000mm intervals plus one at 60mm from each end. Operation by integrated 24V DC motor SG 8060 controlled by fixed switch / third party control system subject to suitable interface by others / radio control systems SG Control L / SG Control R. All wireless controls at extra cost. Slat colour to be chosen from Silent Gliss 16/25mm range Price Group 1 / 2 / 3.

# FITTING

**A. FITTING  
INFORMATION**

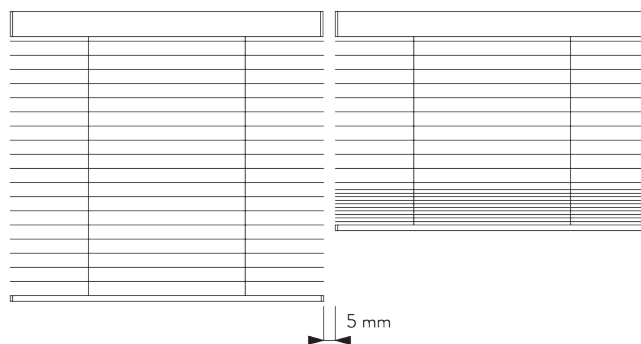
For detailed fitting information, visit the Silent Gliss website.

**Fixing points**



Note:  
Never position the brackets SG 8201 on the take up reels.

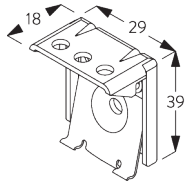
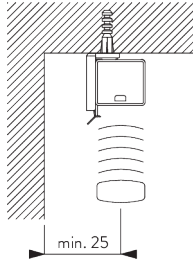
**Side-by-side fitting**



Min. distance: 5 mm

## B. CEILING FITTING

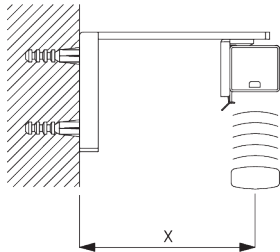
### Bracket SG 8201



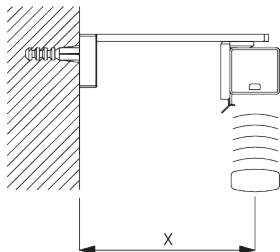
**SG 8201**  
Bracket

## C. WALL FITTING

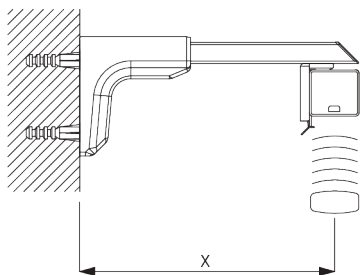
### Smart Fix



**Smart Fix SG 11200 - SG 11203 and bracket SG 8201:**  
Screw SG 10395 (M4x6) needed.

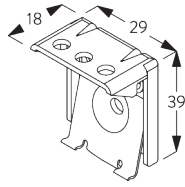


**Square Smart Fix SG 11210 - SG 11213  
and bracket SG 8201:**  
Screw SG 10395 (M4x6) needed.



**Universal Smart Fix SG 11154 - SG 11156  
and bracket SG 8201:**  
Screw SG 10407 (M4x10) needed.

Smart Fix	X mm
SG 11200 / SG 11210	57
SG 11201 / SG 11211	77
SG 11202 / SG 11212	97
SG 11203 / SG 11213	117
SG 11154	107-135
SG 11155	137-165
SG 11156	187-215



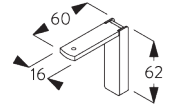
**SG 8201**  
Bracket



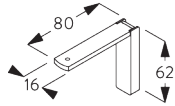
**SG 10395**  
Pan head screw M4x6



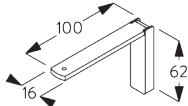
**SG 10407**  
Pan head screw M4x10



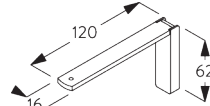
**SG 11200**  
Smart Fix 60 mm



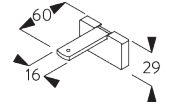
**SG 11201**  
Smart Fix 80 mm



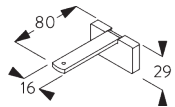
**SG 11202**  
Smart Fix 100 mm



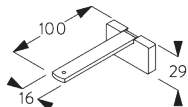
**SG 11203**  
Smart Fix 120 mm



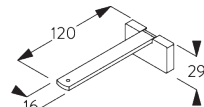
**SG 11210**  
Square Smart Fix 60 mm



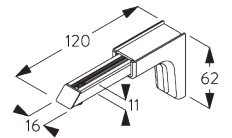
**SG 11211**  
Square Smart Fix 80 mm



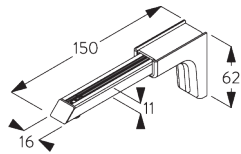
**SG 11212**  
Square Smart Fix 100 mm



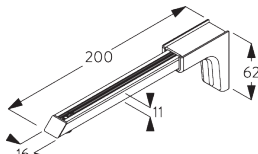
**SG 11213**  
Square Smart Fix 120 mm



**SG 11154**  
Universal Smart Fix 120 mm

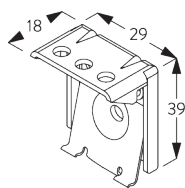
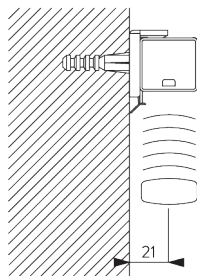


**SG 11155**  
Universal Smart Fix 150 mm



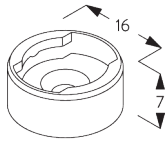
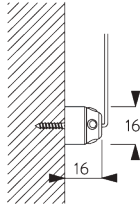
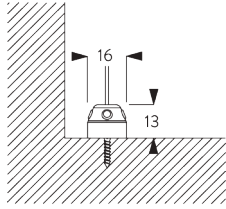
**SG 11156**  
Universal Smart Fix 200 mm

**Bracket SG 8201**

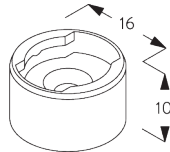


**SG 8201**  
Bracket

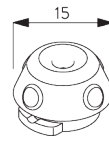
**D. FITTING WITH  
SIDE GUIDE  
OPTION**



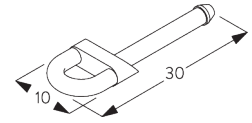
**SG 8235**  
Side guide wire base short



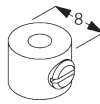
**SG 8236**  
Side guide wire base long



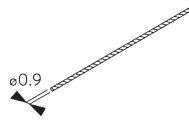
**SG 8237**  
Side guide wire holder



**SG 8241**  
Side guide eyelet



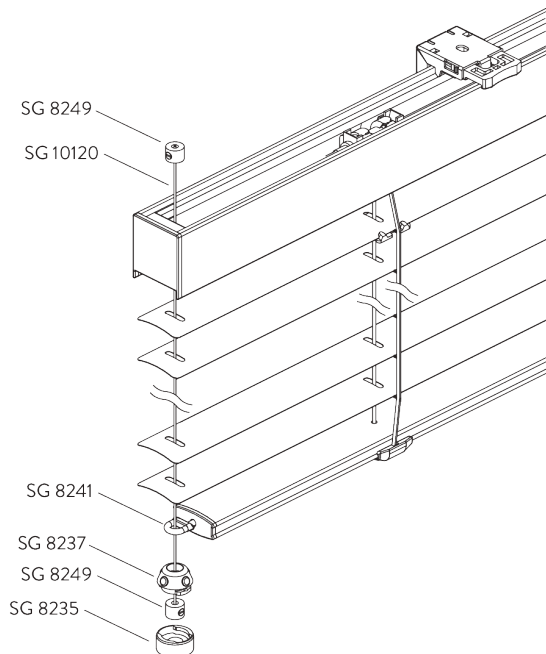
**SG 8249**  
Side guide device



**SG 10120**  
Side guide wire  $\varnothing$  0.9 mm

# SYSTEM OPTIONS

**A. SIDE GUIDES**



Additional parts:

- 2x SG 8235 Side guide wire base short
- 2x SG 8237 Side guide wire holder
- 2x SG 8241 Side guide eyelet
- 4x SG 8249 Side guide device
- 2x SG 10120 Side guide wire  $\varnothing$  0.9 mm

Note:

- Up to 15° from vertical



# MOTOR & CONTROLS

## A. MOTOR FEATURES

Motor	SG 8060
<b>Motor Features</b>	
Mechanical end-stop	●
IP class	IP 20
<b>Control Features</b>	
SG Control L (external receiver required)	●
SG Control R (external receiver required)	●
Suitable for most major home automation systems (with suitable interface)	●

## B. MOTOR SPECIFICATIONS

Motor	Voltage	Current	Speed
SG 8060	24 V DC	0.65 A	30 rpm

## C. OPERATING METHODS

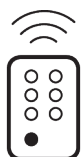
See catalogue "controls" for details.

### Wall Switch



System can be operated by fixed wall switch.

### SG Control L

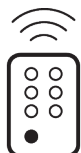


Various radio hand-held and wall transmitters available. An external receiver is required.



Silent Gliss Move App.

### SG Control R



Various radio hand-held and wall transmitters available. An external receiver is required.







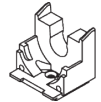
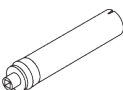
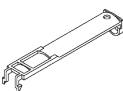
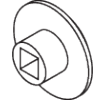
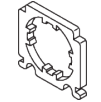

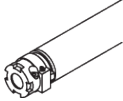
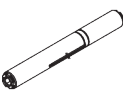
**D. WIRING**  
**DIAGRAMS**



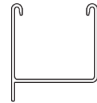
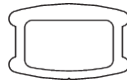
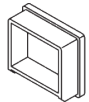
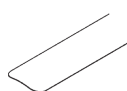


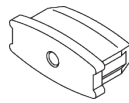
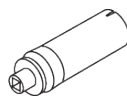
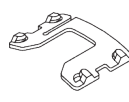
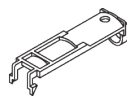
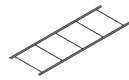


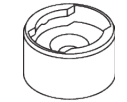
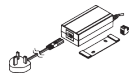
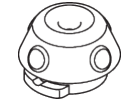
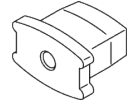
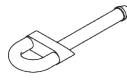
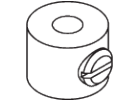
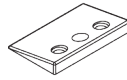
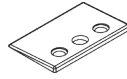
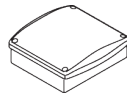
*Refer to Silent Gliss website.*

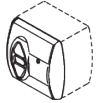
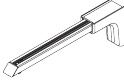

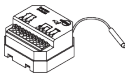
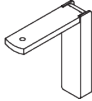

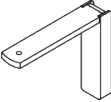
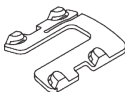
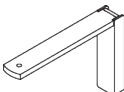
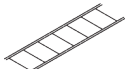


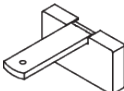

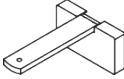

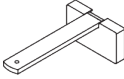

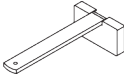

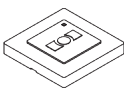
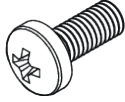
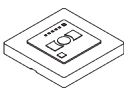


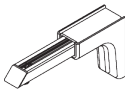
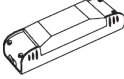
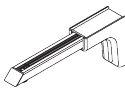
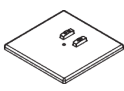
# PARTS

## A. STANDARD PARTS

	<b>SG 8004</b> Bottom bar 24 mm
	<b>SG 8007</b> Slat 25 mm
	<b>SG 8013</b> Bottom clip 25 mm
	<b>SG 8025</b> Shaft
	<b>SG 8038</b> Shaft adaptor long
	<b>SG 8039</b> Stop ring
	<b>SG 8041</b> Bearing
	<b>SG 8042</b> Cone long
	<b>SG 8044</b> Cover long
	<b>SG 8046</b> Ring
	<b>SG 8047</b> Profile adaptor
	<b>SG 8048</b> Shaft adaptor short
	<b>SG 8049</b> End stop AMS 25
	<b>SG 8060</b> Motor 24V DC, 0,8/40

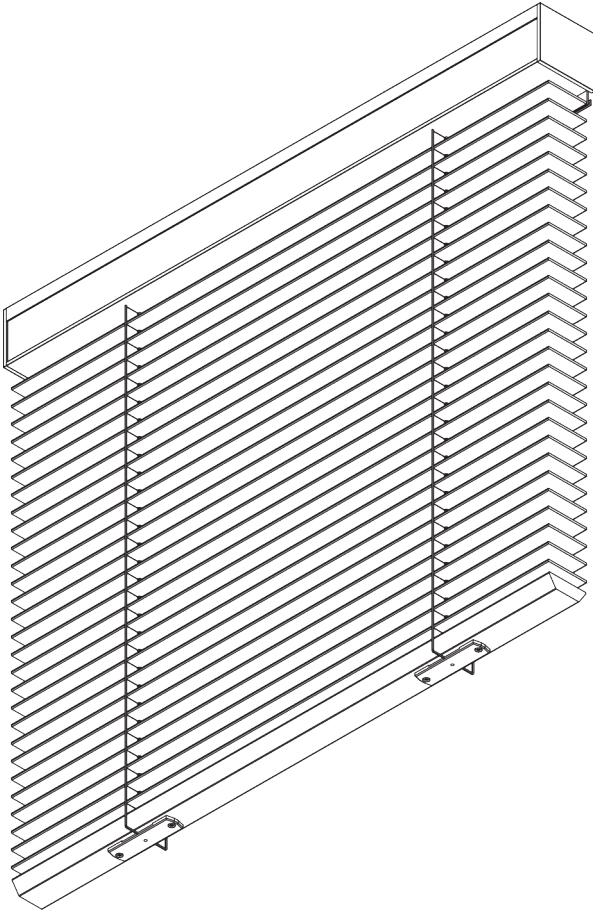
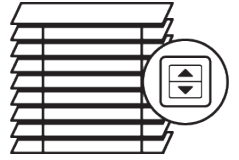
## B. OPTIONAL PARTS

	<b>SG 8102</b> Profile		<b>SG 8003</b> Bottom bar 16 mm
	<b>SG 8106</b> End cover 25 mm		<b>SG 8006</b> Slat 16 mm
	<b>SG 8201</b> Bracket		<b>SG 8012</b> Bottom clip 16 mm
	<b>SG 8239</b> End cover 25 mm		<b>SG 8043</b> Cone short
	<b>SG 10104</b> Slat clip 25 mm		<b>SG 8045</b> Cover short
	<b>SG 10117</b> Ladder cord 25 mm		<b>SG 8235</b> Side guide wire base short
	<b>SG 10119</b> Lift cord ø 1.4 mm		<b>SG 8236</b> Side guide wire base long
	<b>SG 11425</b> Power supply 24V / 2A including cable with UK plug		<b>SG 8237</b> Side guide wire holder
			<b>SG 8238</b> End cover 16 mm
			<b>SG 8241</b> Side guide eyelet
			<b>SG 8249</b> Side guide device
			<b>SG 8262</b> Spacer 10°
			<b>SG 8263</b> Spacer 4°
			<b>SG 9052</b> Transformer power supply 2.5

	<b>SG 9065</b> Programmable switch		<b>SG 11156</b> Universal Smart Fix 200 mm		<b>SG 20914</b> Wall switch 8 channel
	<b>SG 9068</b> Radio receiver Revio		<b>SG 11200</b> Smart Fix 60 mm		
	<b>SG 9947</b> Control unit DC 24V		<b>SG 11201</b> Smart Fix 80 mm		
	<b>SG 10109</b> Slat clip 16 mm		<b>SG 11202</b> Smart Fix 100 mm		
	<b>SG 10116</b> Ladder cord 16 mm		<b>SG 11203</b> Smart Fix 120 mm		
	<b>SG 10120</b> Side guide wire ø 0.9 mm		<b>SG 11210</b> Square Smart Fix 60 mm		
	<b>SG 10300</b> Radio hand held 1 channel		<b>SG 11211</b> Square Smart Fix 80 mm		
	<b>SG 10302</b> Radio hand held 5+1 channel		<b>SG 11212</b> Square Smart Fix 100 mm		
	<b>SG 10303</b> Radio hand held 10+2+1 channel		<b>SG 11213</b> Square Smart Fix 120 mm		
	<b>SG 10395</b> Pan head screw M4x6		<b>SG 11480</b> Radio wall transmitter 1 channel		
	<b>SG 10407</b> Pan head screw M4x10		<b>SG 11490</b> Radio wall transmitter 5+1 channel		
	<b>SG 10804</b> Radio hand held 15+5+1 channel		<b>SG 20336</b> Hand held transmitter 8 channel		
	<b>SG 11154</b> Universal Smart Fix 120 mm		<b>SG 20907</b> Control module motor type R		
	<b>SG 11155</b> Universal Smart Fix 150 mm		<b>SG 20913</b> Wall switch single channel		

# SG 8960

---



## **PRODUCT INFORMATION**

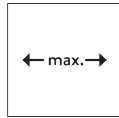
- **Operation:** motorised
- **Range:** L
- **Fitting:** ceiling, wall
- **Colours:** refer to Silent Gliss slat collection

### **Features:**

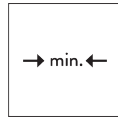
- Optimised light control
- Various control options
- Wood, aluminium and leather slats
- Slat width: 50 mm
- Headrail slat cover
- Choice of ladder cord or decorative slat tape

# SYSTEM SPECIFICATIONS

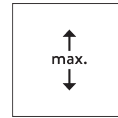
## A. SYSTEM DIMENSIONS



Wood / Leather: 2.4 m  
Aluminium: 3.6 m



65 cm



Wood / Leather: 2.75 m  
Aluminium: 3.6 m



Wood / Leather: 4.6 m<sup>2</sup>  
Aluminium: 10 m<sup>2</sup>

## Slat stack heights

Note: stack size will be larger when tapes are used

Wooden

	50 mm	X								
			60	90	120	150	180	210	240	275
			12	15	17	20	22	25	27	30

(cm)

Leather

	50 mm	X								
			60	90	120	150	180	210	240	275
			16	18	20	22	24	26	28	30

(cm)

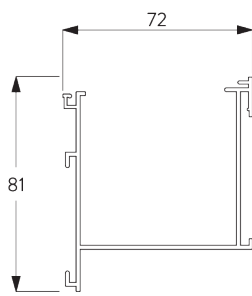
Aluminium

	50 mm	X				
			100	200	300	360
			10	13	17	20

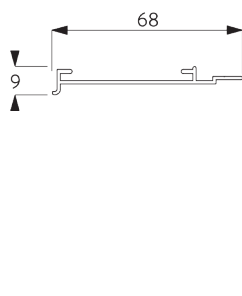
(cm)

## B. PROFILE

### Profile information

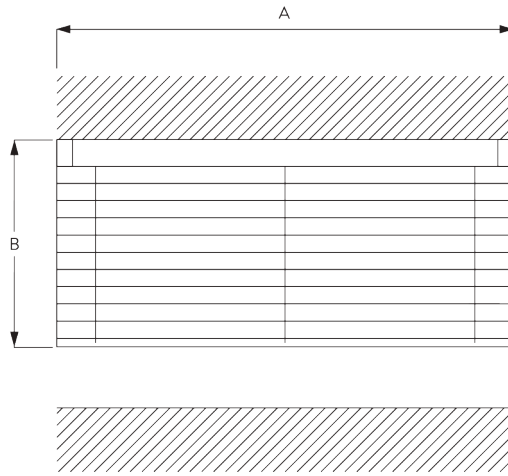


SG 8935  
Profile



SG 8936  
Profile

**C. HOW TO  
MEASURE**



A: System width  
B: System height

**D. SPECIFICATION  
TEXT**

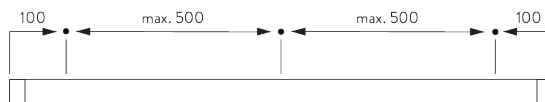
**Silent Gliss SG 8960 Electrically Operated Venetian Blind System.** Supplied made to measure and complete comprising aluminium headrail SG 8935 and cover SG 8936 incorporating matching colour slat. System fixed with clamps SG 3033 to ceiling or wall at 450mm intervals plus one at 100mm from each end. Supplied with motor SG 11095 with operation by 5 position switch SG 0613 which permits raising, lowering and tilting of the slats / operation by third party control system subject to suitable interface by others. Optional motor SG 11096 with integrated receiver for use with radio control system SG Control L (hand, wall mounted transmitters and SG Move app). Can be switched by SG Control R radio control system by external receiver. All wireless controls at extra cost. Slat colours to be chosen from Silent Gliss 50mm aluminium / wood / leather range.

**FITTING**

**A. FITTING  
INFORMATION**

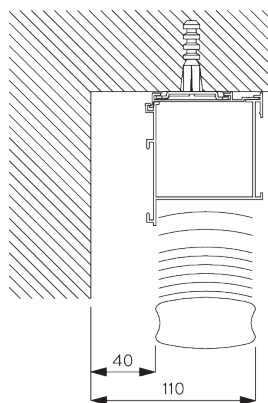
For detailed fitting information, visit the Silent Gliss website.

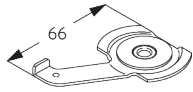
**Fixing points**



**B. CEILING FITTING**

**Clamp SG 3003**



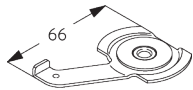
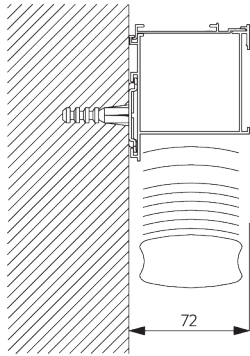


**SG 3003**

*Clamp*

**C. WALL FITTING**

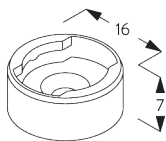
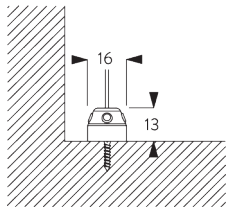
**Clamp SG 3003**



**SG 3003**

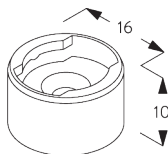
*Clamp*

**D. FITTING WITH  
SIDE GUIDE  
OPTION**



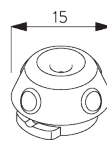
**SG 8235**

*Side guide wire base short*



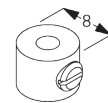
**SG 8236**

*Side guide wire base long*



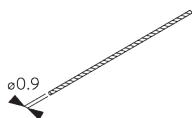
**SG 8237**

*Side guide wire holder*



**SG 8249**

*Side guide device*



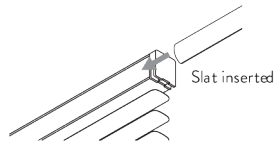
**SG 10120**

*Side guide wire  $\varnothing$  0.9 mm*



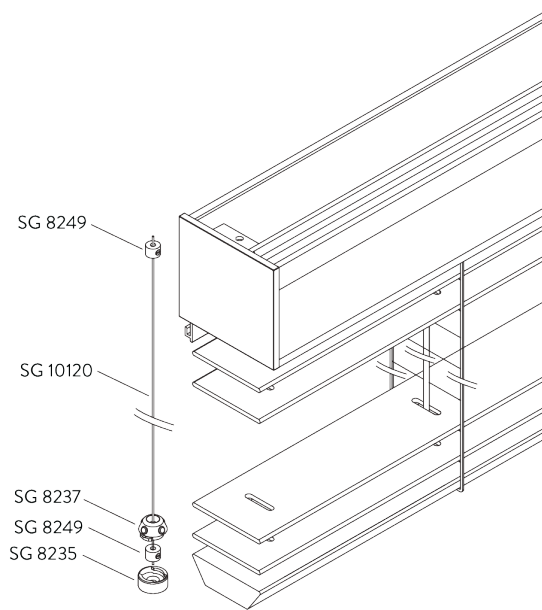
# SYSTEM OPTIONS

## A. HEADRAIL SLAT COVER



- A slat is inserted into the headrail for perfect matching of colours and materials to avoid the need to fit a cumbersome valance.
- For leather slat blinds there is the option of a leather covered headrail at an additional cost.
- Leather covered slats cannot be specified with decorative (external) slat tapes. The blind hardware is supplied matching the slat colour.

## B. SIDE GUIDES



Additional parts:

- 2x SG 8235 Side guide wire base short
- 2x SG 8237 Side guide wire holder
- 4x SG 8249 Side guide device
- 2x SG 10120 Side guide wire  $\varnothing$  0.9 mm

Note:

- Up to 15° from vertical

# MOTOR & CONTROLS

## A. MOTOR FEATURES

Motors	SG 11095	SG 11096	SG 11328
<b>Motor Features</b>			
Soft start / stop	•	•	
Built-in receiver		•	
Electronic end-stop	•	•	
Electronic revolution counter (unlimited revolution)	•	•	
Mechanical end-stop			•
Mechanical revolution counter (limited revolution)			•
Intermediate positions possible		•	
Noiseless stop	•	•	•
IP class	IP 54	IP 54	IP 44
<b>Control Features</b>			
Mains power control	•		•
SG Control L (built-in receiver)		•	
SG Control L (external receiver required)			•
SG Control R (external receiver required)	•		
Suitable for most major home automation systems (with suitable interface)	•	•	•

## B. MOTOR SPECIFICATIONS

Motors	Voltage	Current	Frequency	Speed	Frequency receiver
SG 11095	230 V AC	0.5 A	50 Hz	35 rpm	n/a
SG 11096	230 V AC	0.5 A	50 Hz	35 rpm	868 MHz
SG 11328	120 V AC	1.3 A	60 Hz	30 rpm	n/a

## C. OPERATING METHODS

See catalogue "controls" for details.

### Wall Switch



System can be operated by fixed wall switch.

### SG Control L



Various radio hand-held and wall transmitters available.



Silent Gliss Move App.

**SG Control R**



*Various radio hand-held and wall transmitters available.  
An external receiver is required.*




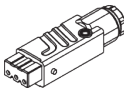
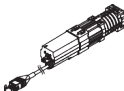
**D. WIRING**  
**DIAGRAMS**





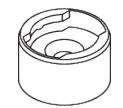
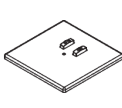
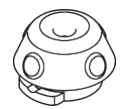

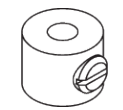
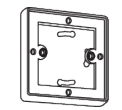
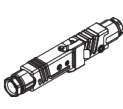
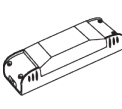

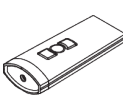
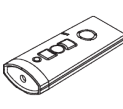
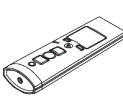
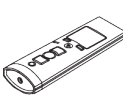
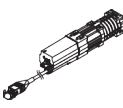
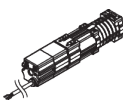
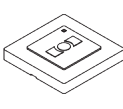
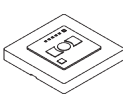
*Refer to Silent Gliss website.*

# PARTS

## A. STANDARD PARTS

	<b>SG 3003</b> Clamp
	<b>SG 8935</b> Profile
	<b>SG 8936</b> Profile
	<b>SG 9917</b> Hirschmann portable socket-outlet STAK 3 N
	<b>SG 11095</b> Motor 230V AC, JA 04/35 comfort

## B. OPTIONAL PARTS

	<b>SG 8235</b> Side guide wire base short		<b>SG 20336</b> Hand held transmitter 8 channel
	<b>SG 8236</b> Side guide wire base long		<b>SG 20913</b> Wall switch single channel
	<b>SG 8237</b> Side guide wire holder		<b>SG 20914</b> Wall switch 8 channel
	<b>SG 8249</b> Side guide device		<b>SG 20917</b> Pattress box
	<b>SG 9916</b> Hirschmann plug set		<b>SG 20919</b> Control module motor type R
	<b>SG 10120</b> Side guide wire ø 0.9 mm		
	<b>SG 10300</b> Radio hand held 1 channel		
	<b>SG 10302</b> Radio hand held 5+1 channel		
	<b>SG 10303</b> Radio hand held 10+2+1 channel		
	<b>SG 10804</b> Radio hand held 15+5+1 channel		
	<b>SG 11096</b> Motor 230V AC, JA 04/35 comfort, radio receiver		
	<b>SG 11328</b> Motor 120V AC, JA 08/30 soft, UL		
	<b>SG 11480</b> Radio wall transmitter 1 channel		
	<b>SG 11490</b> Radio wall transmitter 5+1 channel		







## ***The Architects of Silence***

***Silent Gliss is the leading global supplier of premium interior window treatments. Since 1952 we have been tirelessly committed to the development of the world's smoothest, quietest systems using state of the art technology.***

*Driven by customer needs, Silent Gliss offers functional and durable products. Expert technical advice coupled with installation and support services complete the offer. Silent Gliss stands for innovative, sustainable, tailor made solutions, exceptional design and first-class quality.*

### **Silent Gliss Ltd.**

Pyramid Business Park  
Poorhole Lane, Broadstairs  
Kent CT10 2PT  
United Kingdom  
**T** +44 1843 863571  
**F** +44 1843 864503  
info@silentgliss.co.uk

### **Silent Gliss Global Ltd.**

Pyramid Business Park  
Poorhole Lane, Broadstairs  
Kent CT10 2PT  
United Kingdom  
**T** +44 1843 874250  
**F** +44 1843 864503  
info@silentglissglobal.com

### **Silent Gliss Blinds Trading LLC**

Office 1906  
The H Hotel Complex  
Trade Center First  
Dubai  
United Arab Emirates  
**T** +971 4 7050318  
info@silentgliss.ae

**silentgliss.co.uk**  
**silentglissglobal.com**  
**silentgliss.ae**